

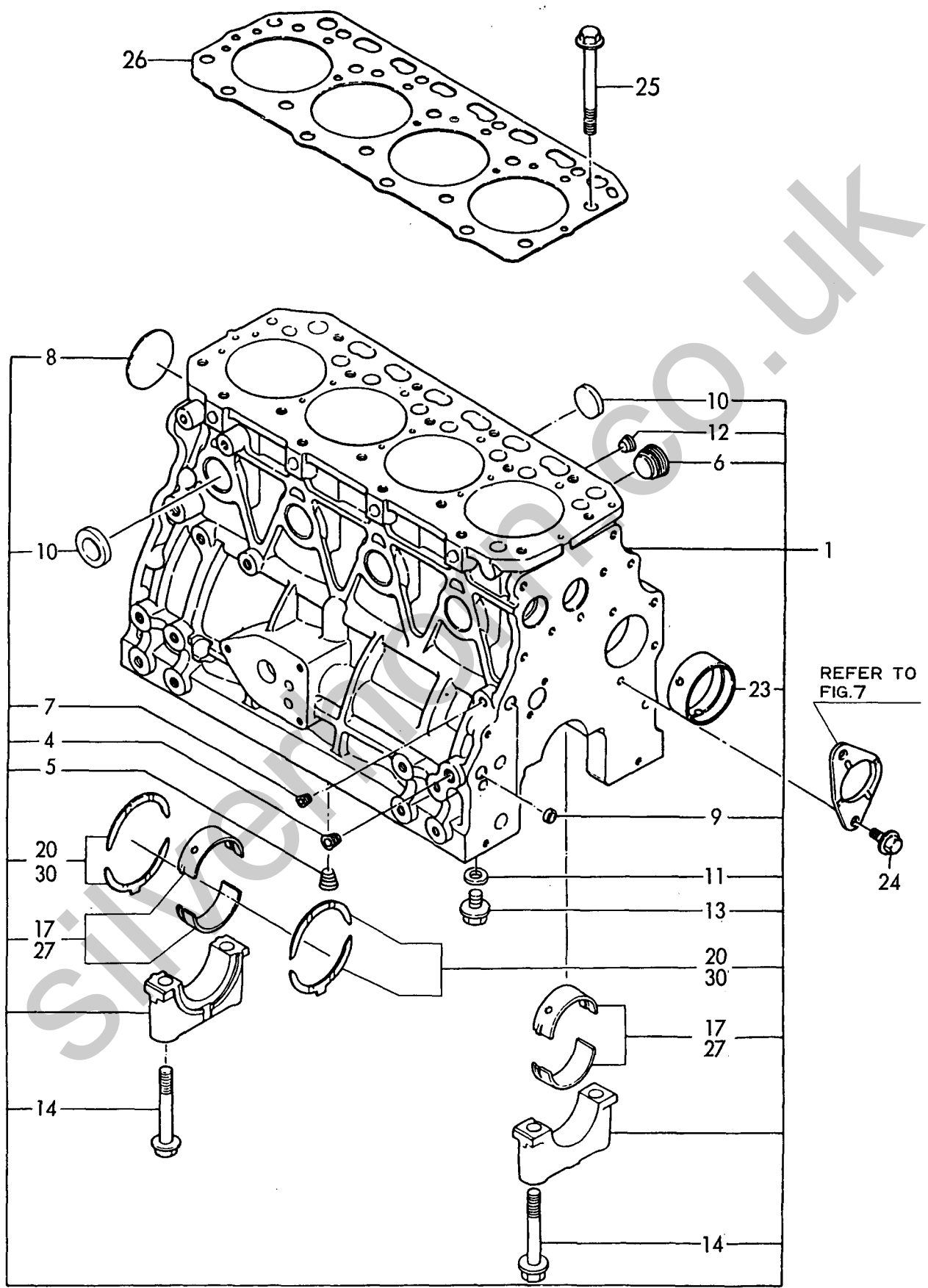
Y00B4481,Industrial,"Vertical multi cyl, diesel(T-series)",  
[Info]  
PcNo=Y00B4481  
PcName=4TN84L-RBD(B50AMMANN)  
JpnUse=0  
JpnSec1=  
JpnSec2=  
JpnSec3=  
JpnPreface=0  
EngUse=1  
EngSec1=ENGINE  
EngSec2=SMALL VERTICAL (B)  
EngSec3=TN  
EngPreface=0

Silverhorn.CO.UK

1,1,,729405-01560,, "BLOCK ASSY, CYLINDER",1,,,,,,,,,,,,,  
 4,3,,124160-01910,, "PLUG PT1/4",2,,,,,,,,,,,,,  
 5,3,,124160-01910,, "PLUG PT1/4",1,,,,,,,,,,,,,  
 6,3,,171051-01921,, PLUG,1,,,,,,,,,,,,,  
 7,3,,23871-010000,, "PLUG PT1/8, SCREW",1,,,,,,,,,,,,,  
 8,3,,27231-500000,, "PLUG 50",1,,,,,,,,,,,,,  
 9,3,,27241-120000,, "PLUG 12",2,,,,,,,,,,,,,  
 10,3,,27241-300000,, "PLUG 30",8,,,,,,,,,,,,,  
 11,2,,23414-080000,, "GASKET 8, ROUND",4,,,,,,,,,,,,,  
 12,2,,23871-030000,, "PLUG PT3/8, SCREW",1,,,,,,,,,,,,,  
 13,2,,26106-080122,, "BOLT M 8X 12 PLATED",4,,,,,,,,,,,,,  
 14,2,,129150-02020,, "BOLT, BEARING CAP",10,,,,,,,,,,,,,  
 17,2,,129150-02800,, "MAIN BEARING",5,,,,,,,,,,,,,  
 20,2,,129150-02930,, "BEARING, THRUST",2,,,,,,,,,,,,,  
 23,2,,129795-02411,, "BUSH, CAMSHAFT",1,,,,,,,,,,,,,  
 24,1,,26106-080162,, "BOLT M 8X 16 PLATED",2,,,,,,,,,,,,,  
 25,1,,129150-01200,, "STUD, CYL. HEAD",18,,,,,,,,,,,,,  
 26,1,,129405-01330,, "GASKET, CYL. HEAD",1,,,,,,,,,,,,,  
 26-1,1,,129405-01331,, "GASKET, (NON-ASB.)",1,,,,,N,A,TE-93048,"E/#  
 12913",,,,,,,,,,,,,  
 27,1,,129150-02870,, "MAIN BEARING US=0.25",5,,,,,1,,,,,,,,,,,,,  
 30,1,,129150-02940,, "BEARING, THRUST .250S",1,,,,,2,,,,,,,,,,,,

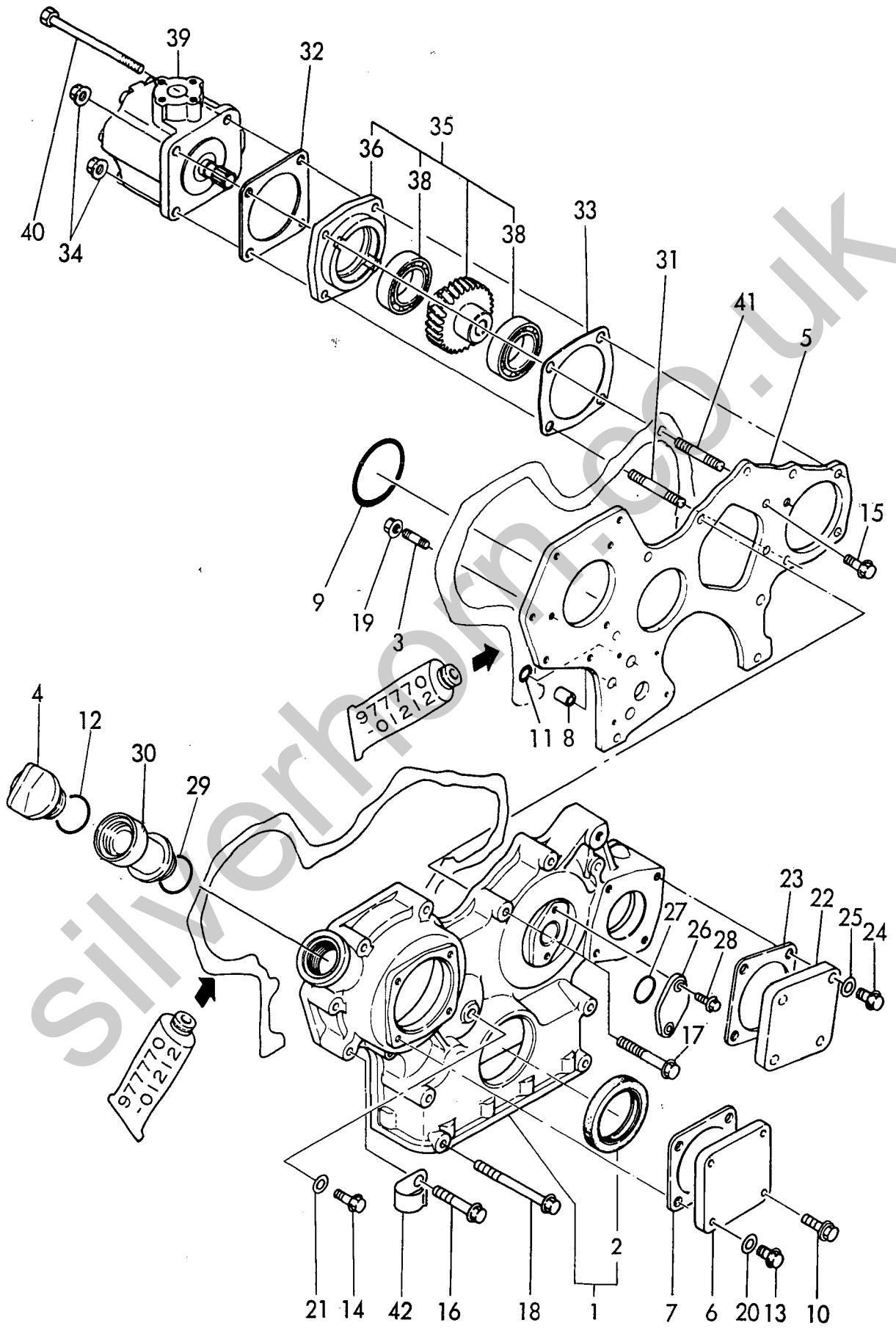
Silverhorn.co.uk

Fig. 1 シリンダブロック  
CYLINDER BLOCK



1,1,,129100-01590,, "HOUSING ASSY, GEAR",1,,,,,W,,NF-90014,"E/# 02817",,,,,,  
2,2,,129795-01800,, "SEAL, OIL",1,,,,,  
3,1,,121450-01560,, "STUD M 8X 22",3,,,,,  
4,1,,124160-01751,, "CAP, LUB.OIL SUPPLY",1,,,,,  
5,1,,129100-01520,, "FLANGE,GEAR HOUSING",1,,,,,  
6,1,,124240-01871,, "COVER, HO-P",1,,,,,  
7,1,,124240-01883,, "GASKET, (NON-ASB.)",1,,,,,A,,,,,  
8,1,,129795-01950,, "PIPE, KNOCK L=18",2,,,,,  
9,1,,121850-51960,, "O-RING, F.I.PUMP",1,,,,,A,,,,,  
10,1,,129189-91980,, "BOLT, BEARING CASE",2,,,,,  
11,1,,24311-000160,, "O-RING 1A P-16.0",2,,,,,  
12,1,,24311-000320,, "O-RING 1A P-32.0",1,,,,,A,,,,,  
13,1,,26106-080122,, "BOLT M 8X 12 PLATED",2,,,,,  
14,1,,26106-080162,, "BOLT M 8X 16 PLATED",1,,,,,  
15,1,,26106-080162,, "BOLT M 8X 16 PLATED",3,,,,,  
16,1,,26106-080452,, "BOLT M 8X 45 PLATED",6,,,,,  
17,1,,26106-080552,, "BOLT M 8X 55 PLATED",3,,,,,  
18,1,,26106-080852,, "BOLT M 8X 85 PLATED",4,,,,,  
19,1,,26366-080002,, "NUT M 8",3,,,,,  
20,1,,43400-500410,, "SEAL WASHER 8S",2,,,,,  
20-1,1,,22190-080002,, "SEAL WASHER 8S",2,,,,,N,,TN-93179,"E/# 12913",,,,,,  
21,1,,43400-500410,, "SEAL WASHER 8S",1,,,,,  
21-1,1,,22190-080002,, "SEAL WASHER 8S",1,,,,,N,,TN-93179,"E/# 12913",,,,,,  
22,1,,124240-01871,, "COVER, HO-P",1,,,,,  
23,1,,124240-01883,, "GASKET, (NON-ASB.)",1,,,,,  
24,1,,26106-080162,, "BOLT M 8X 16 PLATED",4,,,,,  
24-1,1,,26106-080122,, "BOLT M 8X 12 PLATED",4,,,,,N,,NF-90014,"E/#  
02817",,,,,,  
25,1,,43400-500410,, "SEAL WASHER 8S",4,,,,,Z,,NF-90014,"E/# 02817",,,,,,  
26,1,,121023-01550,, "COVER, BLIND",1,,,,,  
27,1,,24341-000240,, "O-RING 1A S-24.0",1,,,,,  
28,1,,26106-060122,, "BOLT M 6X 12 PLATED",2,,,,,  
29,1,,121420-01760,, "O-RING",1,,,,,  
29-1,1,,24311-000320,, "O-RING 1A P-32.0",1,,,,,N,,TL-90168,"E/# 03696",,,,,,  
30,1,,171031-11741,, "PIPE",1,,,,,  
31,1,,129150-01580,, "STUD 8 X 30",1,,,,,  
32,1,,124240-01883,, "GASKET, (NON-ASB.)",1,,,,,  
33,1,,129150-01880,, "GASKET, HO-P",1,,,,,  
33-1,1,,129150-01881,, "GASKET, (NON ASB.)",1,,,,,N,,TE-90028,"E/#  
03106",,,,,,  
34,1,,194990-22050,, "NUT W/WASHER 8",2,,,,,  
34-1,1,,26366-080002,, "NUT M 8",2,,,,,N,,TN-94326,"E/# 12913",,,,,,  
35,1,,129150-26000,, "DRIVING SET, HO-PUMP",1,,,,,  
36,2,,129150-26050,, "BRACKET, HO-P",1,,,,,  
38,2,,24101-060064,, "BALL BEARING",2,,,,,  
38-1,2,,24105-060064,, "BALL BEARING",2,,,,,N,,TN-92253,"E/# 12913",,,,,,  
39,1,,119462-26020,, "PUMP,HYDRAULIC OIL",1,,,,,  
40,1,,26106-080902,, "BOLT M 8X 90 PLATED",2,,,,,  
41,1,,26216-080402,, "STUD M 8X 40 PLATED",1,,,,,  
42,1,,129150-03100,, "RETAINER",1,,,,,

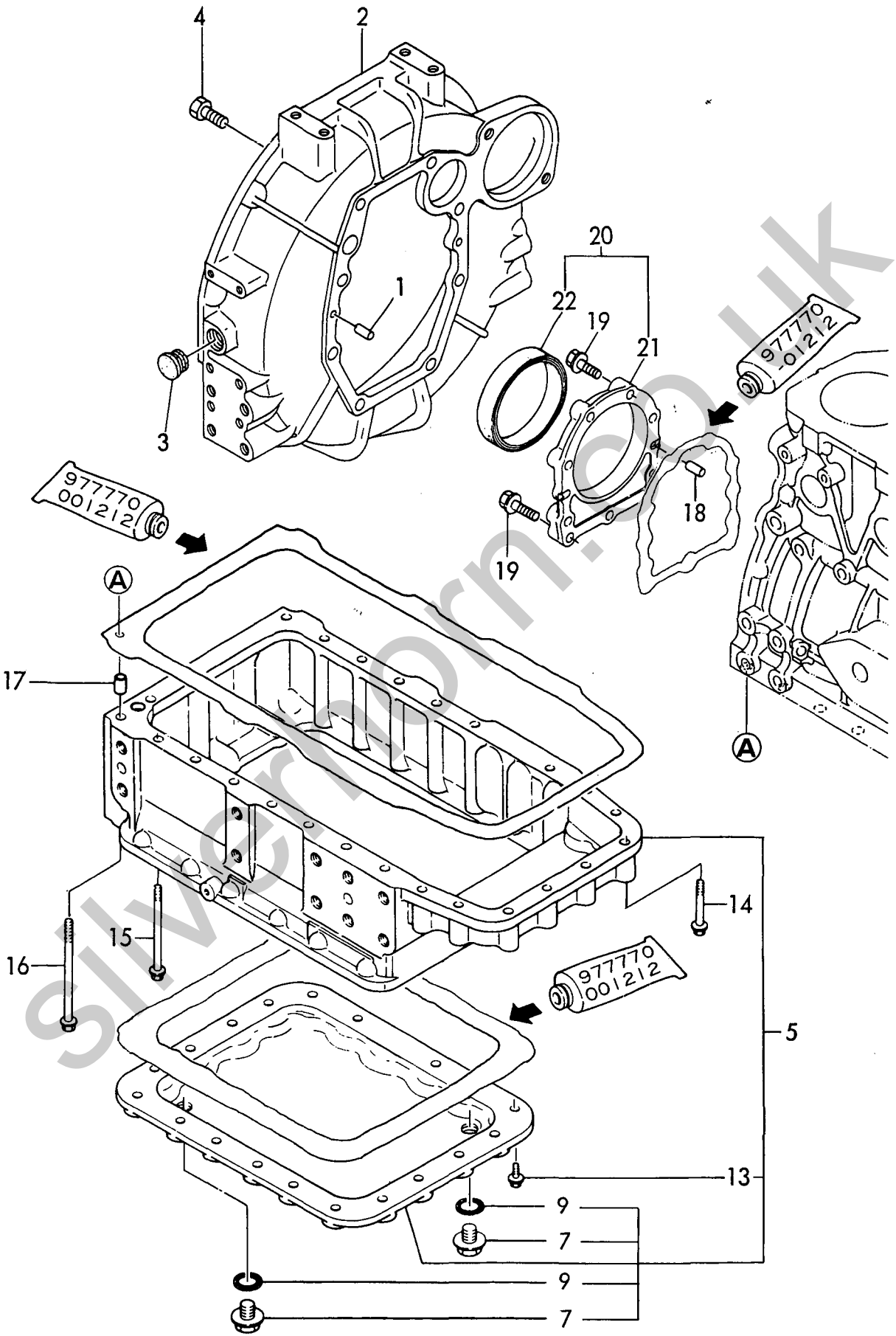
Fig. 2 ギヤケース  
GEAR HOUSING



1,1,,129100-01580,, "PARALLEL PIN 8X16",2,,,,,,,,,,,,,  
 2,1,,171440-01600,, "HOUSING, FLYWHEEL",1,,,,,,,,,,,,,  
 3,1,,119620-01750,, "CAP, FLYWHEEL COVER",1,,,,,,,,,,,,,  
 4,1,,26206-100252,, "BOLT M10X25",8,,,,,,,,,,,,,  
 5,1,,729550-01541,, "SUMP ASSY, LUB.OIL",1,,,,,,,,,,,,,  
 7,3,,121400-01640,, "PLUG M16",2,,,,,,,,,,,,,  
 9,3,,24311-000180,, "O-RING 1A P-18.0",2,,,,,,,,,A,,,,,  
 13,2,,26106-080252,, "BOLT M 8X 25 PLATED",20,,,,,,,,,,,,,  
 14,1,,26106-080502,, "BOLT M 8X 50 PLATED",8,,,,,,,,,,,,,  
 15,1,,26106-081002,, "BOLT M 8X100 PLATED",14,,,,,,,,,,,,,  
 16,1,,26106-081202,, "BOLT M 8X120 PLATED",4,,,,,,,,,,,,,  
 17,1,,129555-01750,, "PIPE, KNOCK",1,,,,,,,,,,,,,  
 18,1,,129100-01580,, "PARALLEL PIN 8X16",2,,,,,,,,,,,,,  
 19,1,,26106-080302,, "BOLT M 8X 30 PLATED",9,,,,,,,,,,,,,  
 20,1,,729402-01650,, "CASE ASSY, OIL SEAL",1,,,,,,,,,,,,,  
 20-1,1,,129100-01640,, "CASE ASSY, OIL SEAL",1,,,,,N,,TN-90188,"E/#  
 04282",,,,,,,,,,  
 21,2,,129150-01650,, "CASE, OIL SEAL",1,,,,,,,,,,,,,  
 22,2,,129120-01780,, "SEAL, OIL",1,,,,,,,,,,,,,  
 22-1,2,,129795-01780,, "SEAL, OIL",1,,,,,N,,TN-90188,"E/# 04282",,,,,,,,,



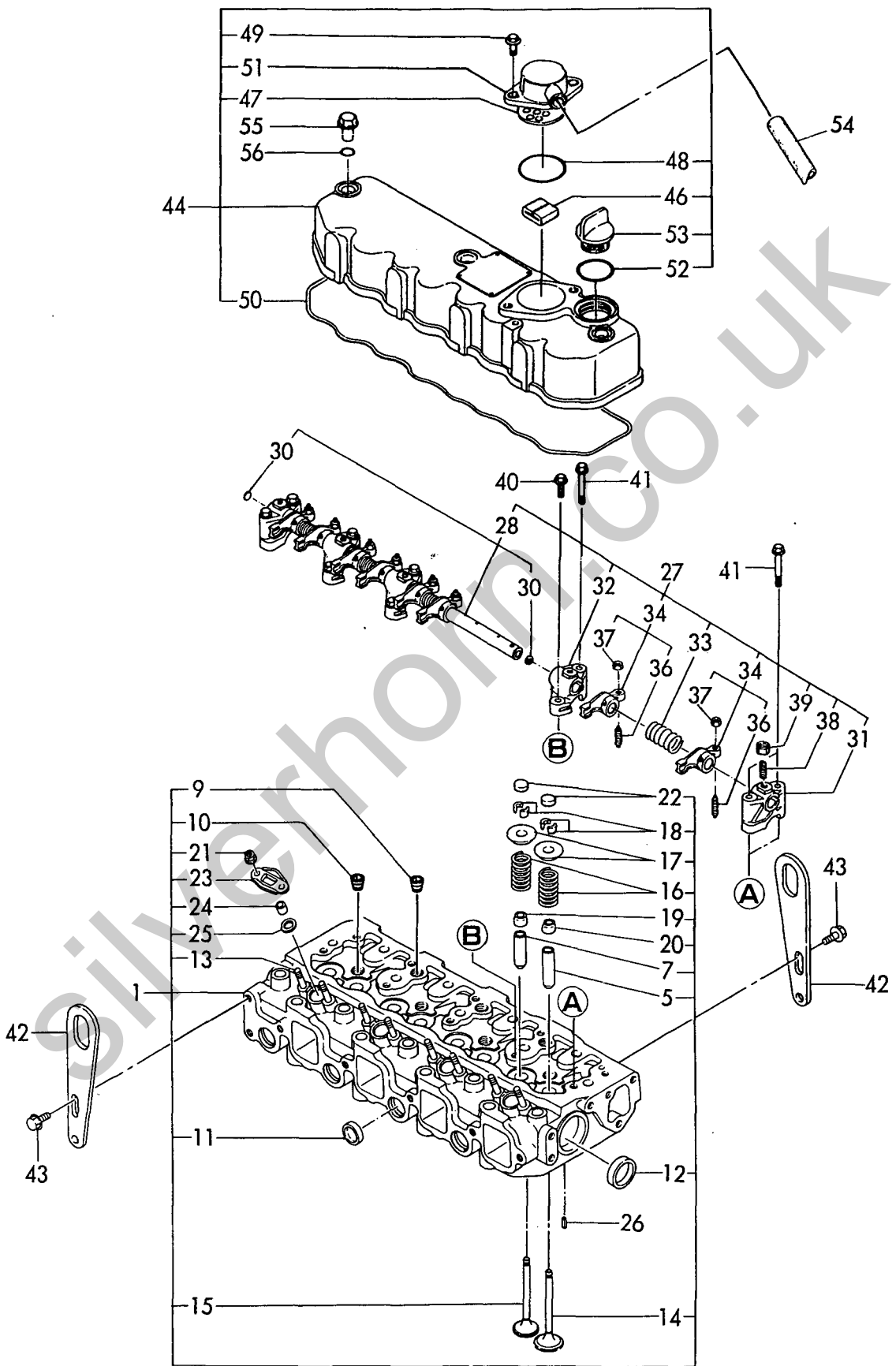
Fig. 3 フライホイールハウジング&オイルパン  
 FLYWHEEL HOUSING & LUB. OIL SUMP



1,1,,729402-11700,, "HEAD ASSY, CYLINDER",1,,,,,,,,,,,,,  
5,2,,120130-11860,, "GUIDE, VALVE",4,,,,,,,,,1,,,,,,,,,  
7,2,,129150-11810,, "GUIDE, VALVE",4,,,,,,,,,1,,,,,,,,,  
9,3,,121850-11860,, "PLUG PT1/4",3,,,,,,,,,,,,,  
10,3,,23871-030000,, "PLUG PT3/8, SCREW",4,,,,,,,,,,,,,  
11,3,,27241-220000,, "PLUG 22",4,,,,,,,,,,,,,  
12,3,,27241-400000,, "PLUG 40",2,,,,,,,,,,,,,  
13,3,,26216-060202,, "STUD M 6X 20 PLATED",8,,,,,,,,,,,,,  
14,2,,129100-11100,, "VALVE, INTAKE",4,,,,,,,,,,,,,  
15,2,,129100-11110,, "VALVE, EXHAUST",4,,,,,,,,,,,,,  
16,2,,129795-11120,, "SPRING, VALVE",8,,,,,,,,,,,,,  
17,2,,129795-11180,, "RETAINER, SPRING",8,,,,,,,,,,,,,  
18,2,,103338-11190,, "COTTER 8",8,,,,,,,,,,,,,  
19,2,,121400-11340,, "SEAL, VALVE STEM",4,,,,,,,,,A,,,,,,,,,  
20,2,,124460-11340,, "SEAL, VALVE STEM",4,,,,,,,,,A,,,,,,,,,  
21,2,,26366-060002,, "NUT M 6",8,,,,,,,,,,,,,  
22,2,,129150-11370,, "CAP, VALVE",8,,,,,,,,,,,,,  
23,2,,119625-11900,, "RETAINER",4,,,,,,,,,,,,,  
24,2,,119625-11870,, "PROTECTOR, NOZZLE",4,,,,,,,,,A,,,,,,,,,  
25,2,,119625-11880,, "SEAT, NOZZLE",4,,,,,,,,,A,,,,,,,,,  
26,1,,22351-060012,, "SPRING PIN 6X12",2,,,,,,,,,,,,,  
27,1,,129555-11241,, "SHAFT, ROCKER ARM",1,,,,,,,,,,,,,  
28,2,,129550-11290,, "SHAFT, ROCKER ARM",1,,,,,,,,,,,,,  
30,3,,27241-100000,, "PLUG 10",2,,,,,,,,,,,,,  
31,2,,129155-11260,, "SUPPORT, ROCKER ARM",2,,,,,,,,,,,,,  
32,2,,129155-11270,, "SUPPORT, ROCKER ARM",3,,,,,,,,,,,,,  
33,2,,129150-11280,, "SPRING",4,,,,,,,,,,,,,  
34,2,,729150-11650,, "ARM, VALVE ROCKER",8,,,,,,,,,,,,,  
34-1,2,,729402-11650,, "ARM ASSY, ROCKER",8,,,,,,,,,N,NF-90014,"E/# 02817",,,,,,,,,,  
36,3,,129150-11230,, "SCREW, VALVE",8,,,,,,,,,,,,,  
37,3,,129150-11750,, "NUT M8XP1.0",8,,,,,,,,,,,,,  
38,2,,26226-080182,, "STUD M 8X 18 PLATED",3,,,,,,,,,,,,,  
39,2,,26756-080002,, "LOCK NUT M 8 PLATED",3,,,,,,,,,,,,,  
40,1,,26106-080252,, "BOLT M 8X 25 PLATED",3,,,,,,,,,,,,,  
41,1,,26106-080502,, "BOLT M 8X 50 PLATED",7,,,,,,,,,,,,,  
42,1,,124736-07900,, "LIFTER, ENGINE",2,,,,,,,,,,,,,  
43,1,,26106-080142,, "BOLT M 8X 14 PLATED",4,,,,,,,,,,,,,  
44,1,,729403-11520,, "BONNET ASSY",1,,,,,,,,,,,,,  
44-1,1,,729403-11530,, "BONNET ASSY, HEAD",1,,,,,,,,,N,\*,"FROM 1ST",,,,,,,,,,  
46,2,,129150-03070,, "BAFFLE, BREATHER",1,,,,,,,,,Z,\*,"FROM 1ST",,,,,,,,,,  
47,2,,129150-03080,, "PLATE, SHELTER",1,,,,,,,,,Z,\*,"FROM 1ST",,,,,,,,,,  
48,2,,24341-000500,, "O-RING 1A S-50.0",1,,,,,,,,,Z,\*,"FROM 1ST",,,,,,,,,,  
49,2,,26106-080162,, "BOLT M 8X 16 PLATED",2,,,,,,,,,Z,\*,"FROM 1ST",,,,,,,,,,  
50,2,,129550-11310,, "GASKET, BONNET",1,,,,,,,,,A,,,,,,,,,  
51,2,,129150-03020,, "COVER, BREATHER",1,,,,,,,,,Z,\*,"FROM 1ST",,,,,,,,,,  
52,2,,24311-000320,, "O-RING 1A P-32.0",1,,,,,,,,,A,,,,,,,,,  
53,2,,124160-01751,, "CAP, LUB.OIL SUPPLY",1,,,,,,,,,,,,,  
54,1,,171350-03090,, "PIPE, BREATHER",1,,,,,,,,,,,,,  
55,1,,124160-11360,, "KNOB",3,,,,,,,,,,,,,  
56,1,,24311-000120,, "O-RING 1A P 12.0",3,,,,,,,,,A,,,,,,,,,



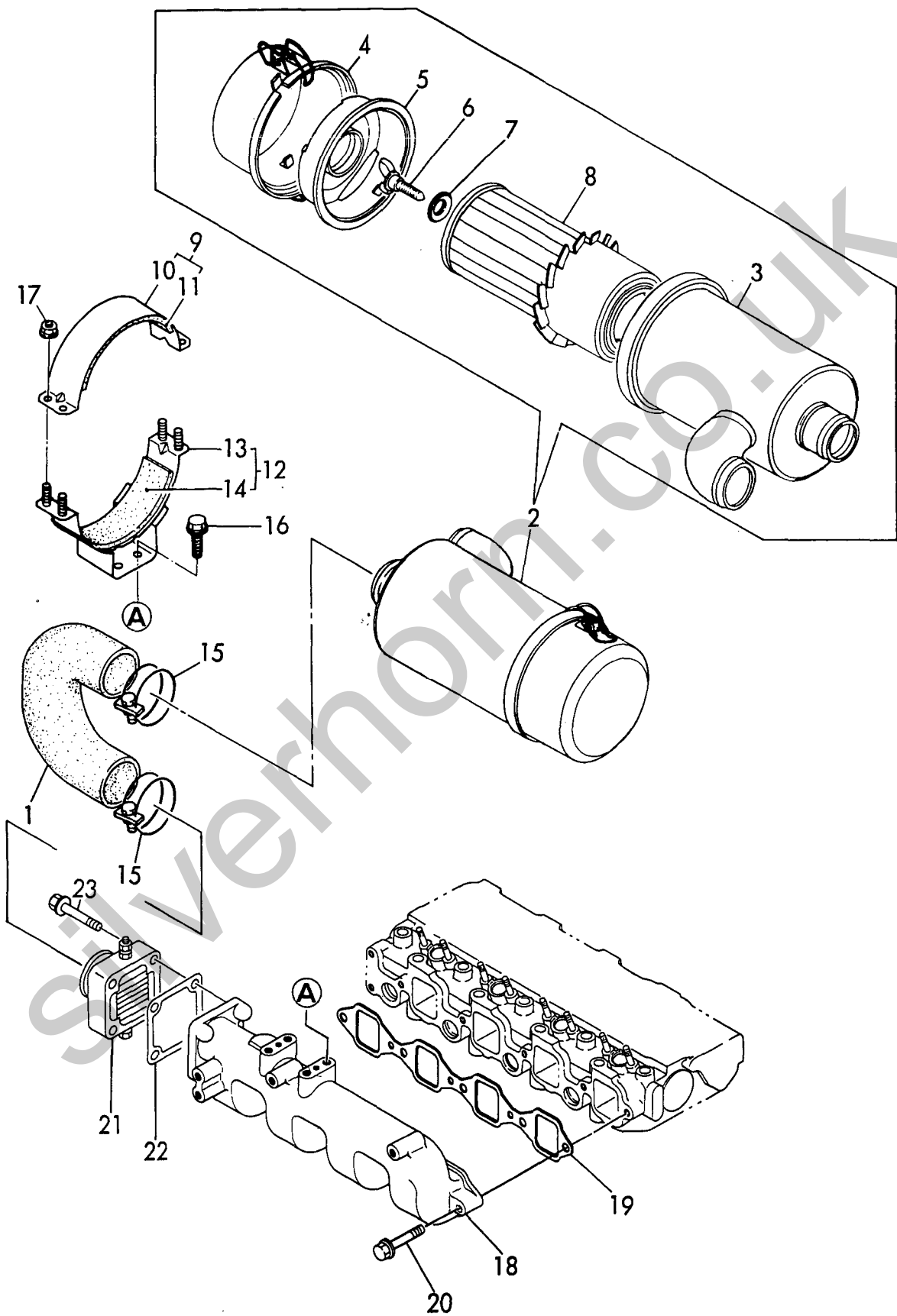
Fig. 4 シリンダヘッド&ボンネット  
CYLINDER HEAD & BONNET



1,1,,171351-12210,,HOSE,1,,,,,,,,,,,,,  
2,1,,129432-12520,,,"CLEANER ASSY, AIR",1,,,,,,,,,,,,,  
3,2,,171351-12520,,CASE,1,,,,,,,,,,,,,  
4,2,,121120-12531,,,"PAN ASSY, DUST",1,,,,,,,,,,,,,  
5,2,,121120-12541,,,"RETAINER, ELEMENT",1,,,,,,,,,,,,,  
6,2,,121120-12561,,,"BOLT, WING",1,,,,,,,,,,,,,  
7,2,,121120-12571,,,"SEAL WASHER",1,,,,,,,,,,,,,  
8,2,,121120-12901,,ELEMENT,1,,,,,,,,,,,,,  
8-1,2,,121120-18901,,ELEMENT,1,,,,,N,\*,"FROM 1ST",,,,,,  
9,1,,121400-12540,,,"BRACE (B) ASSY",1,,,,,,,,,,,,,  
10,2,,121400-12560,,,"BRACE (B)",1,,,,,,,,,,,,,  
11,2,,121400-12570,,,"SEAT (B), RUBBER",1,,,,,,,,,,,,,  
12,1,,171351-12580,,,"SUPPORT ASSY,CLEANER",1,,,,,,,,,,,,,  
13,2,,171351-12560,,,"SUPPORT, AIR CLEANER",1,,,,,,,,,,,,,  
14,2,,171351-12570,,,"SEAT(B), RUBBER",1,,,,,,,,,,,,,  
15,1,,23000-060000,,,"CLAMP 60",2,,,,,,,,,,,,,  
16,1,,26106-080142,,,"BOLT M 8X 14 PLATED",4,,,,,,,,,,,,,  
17,1,,26366-060002,,,"NUT M 6",4,,,,,,,,,,,,,  
18,1,,129488-12100,,,"MANIFOLD, AIR INTAKE",1,,,,,,,,,,,,,  
19,1,,129550-12110,,,"GASKET, SUC.MANIFOLD",1,,,,,,,,,,,,,  
19-1,1,,129550-12111,,,"GASKET, (NON-ASB.)",1,,,,,N,A,TE-90028,"E/#  
03106",,,,,,  
20,1,,26106-080352,,,"BOLT M 8X 35 PLATED",5,,,,,,,,,,,,,  
21,1,,129120-77501,,,"HEATER, AIR",1,,,,,,,,,,,,,  
22,1,,129150-77510,,,"GASKET, AIR HEATER",1,,,,,,,,,,,,,  
22-1,1,,129150-77511,,,"GASKET, (NON-ASB.)",1,,,,,N,A,TE-90028,"E/#  
03106",,,,,,  
23,1,,26106-080352,,,"BOLT M 8X 35 PLATED",4,,,,,,,,,,,,,

Silverhorne.co.uk

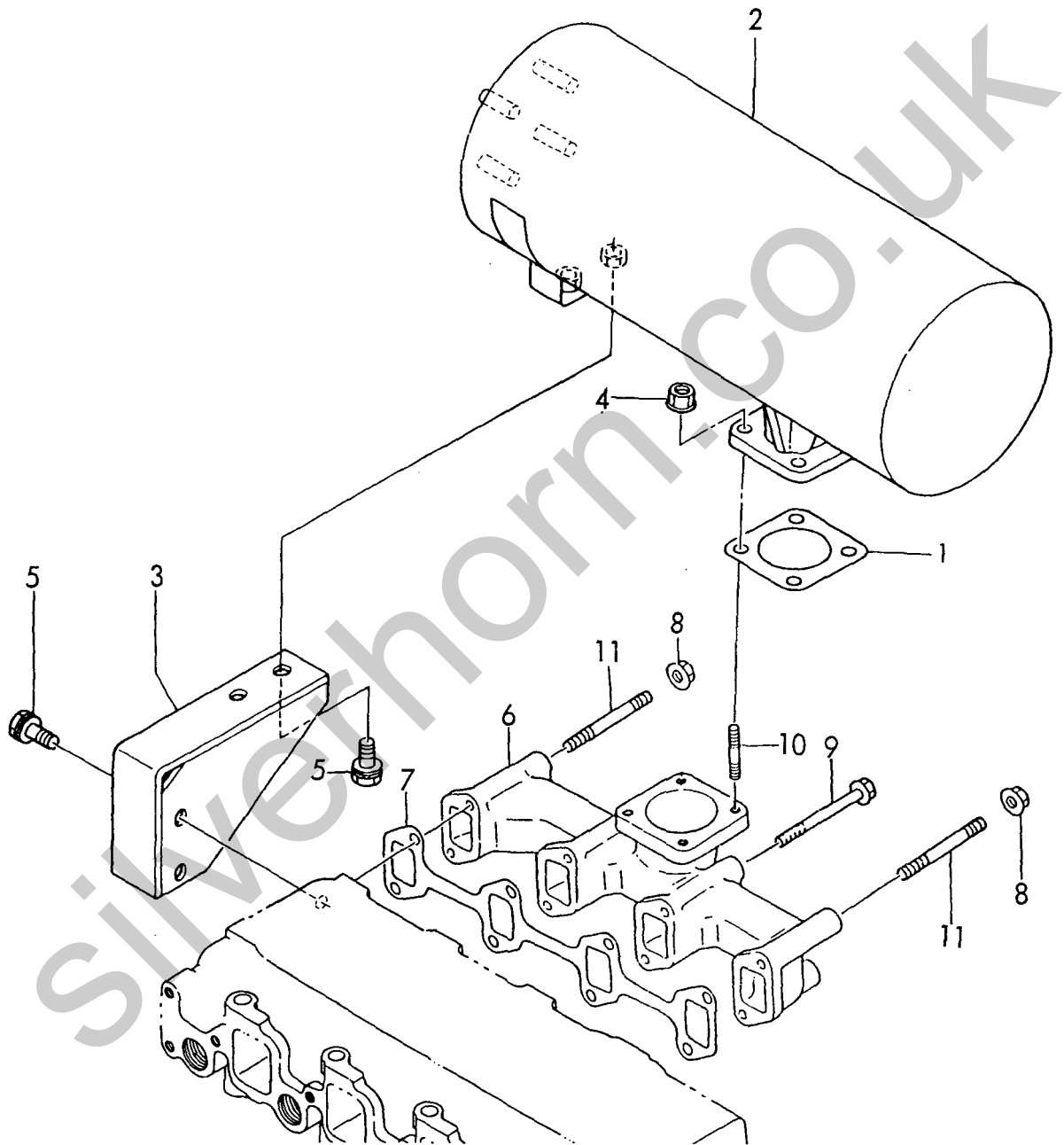
Fig. 5 吸気マニホールド&エアクリーナ  
SUCTION MANIFOLD & AIR CLEANER



1,1,,129400-13200,, "GASKET, SILENCER",1,,,,,,,,,,,,,  
1-1,1,,129400-13201,, "GASKET, (NON-ASB.)",1,,,,,,N,A,TE-90034,"E/#  
03106",,,,,,,,,  
2,1,,129415-13501,, SILENCER,1,,,,,,,,,,,,,  
3,1,,171350-13650,, "STAY,SILENCER",1,,,,,,,,,,,,,  
4,1,,194990-22050,, "NUT W/WASHER 8",4,,,,,,,,,,,,,  
5,1,,26014-080202,, "BOLT M 8X 20",4,,,,,,,,,,,,,  
6,1,,129411-13100,, "MANIFOLD, EXHAUST",1,,,,,,,,,,,,,  
7,1,,129550-13110,, "GASKET, EXH.MANIFOLD",1,,,,,,A,,,,,,,,,  
8,1,,194990-22050,, "NUT W/WASHER 8",2,,,,,,,,,,,,,  
9,1,,26106-080802,, "BOLT M 8X 80 PLATED",6,,,,,,,,,,,,,  
10,1,,26216-080222,, "STUD M 8X 22 PLATED",4,,,,,,,,,,,,,  
11,1,,26216-080802,, "STUD M 8X 80 PLATED",2,,,,,,,,,,,,,

Silverhorn.CO.UK

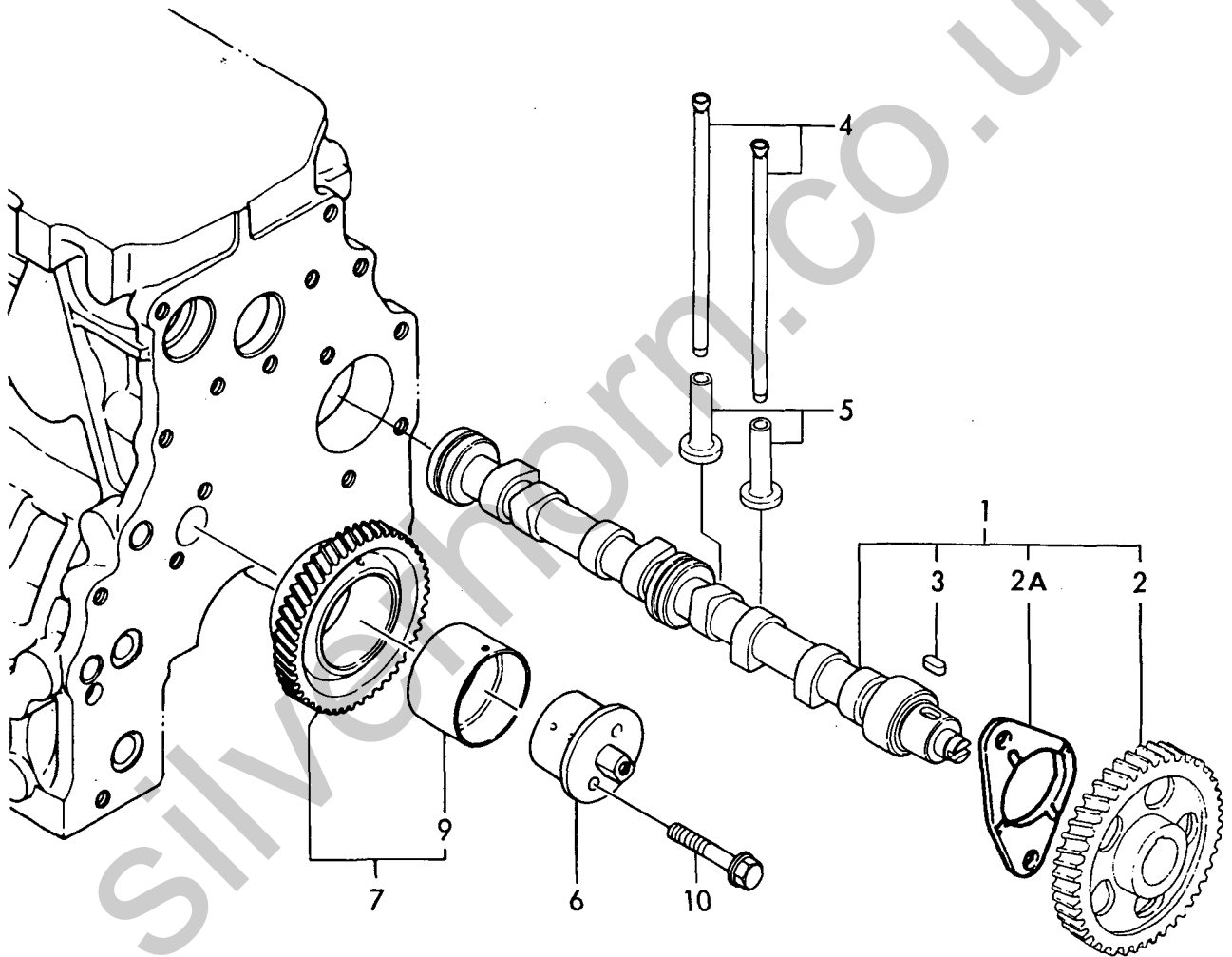
Fig. 6 排気マニホールド&サイレンサ  
EXHAUST MANIFOLD & SILENCER



1,1,,729402-14580,, "CAMSHAFT ASSY",1,,,,,W,,NF-90014,"E/# 02817",,,,,,  
2,2,,129150-14101,, "GEAR, CAMSHAFT",1,,,,,  
2A,2,,129150-02450,, "BEARING, THRUST",1,,,,,  
3,2,,22512-070140,, "KEY 7X 14",1,,,,,  
4,1,,129150-14400,, "ROD, PUSH",8,,,,,  
5,1,,129150-14200,, TAPPET,8,,,,,  
6,1,,129100-25061,, "SHAFT, IDLE GEAR",1,,,,,  
7,1,,129150-25101,, "GEAR W/BUSH",1,,,,,  
9,2,,129150-25061,, "BUSH, IDLE GEAR",1,,,,,  
10,1,,26106-080452,, "BOLT M 8X 45 PLATED",2,,,,,

Silverhorn.CO.UK

Fig. 7 カムシャフト&駆動ギヤ  
CAMSHAFT & DRIVING GEAR

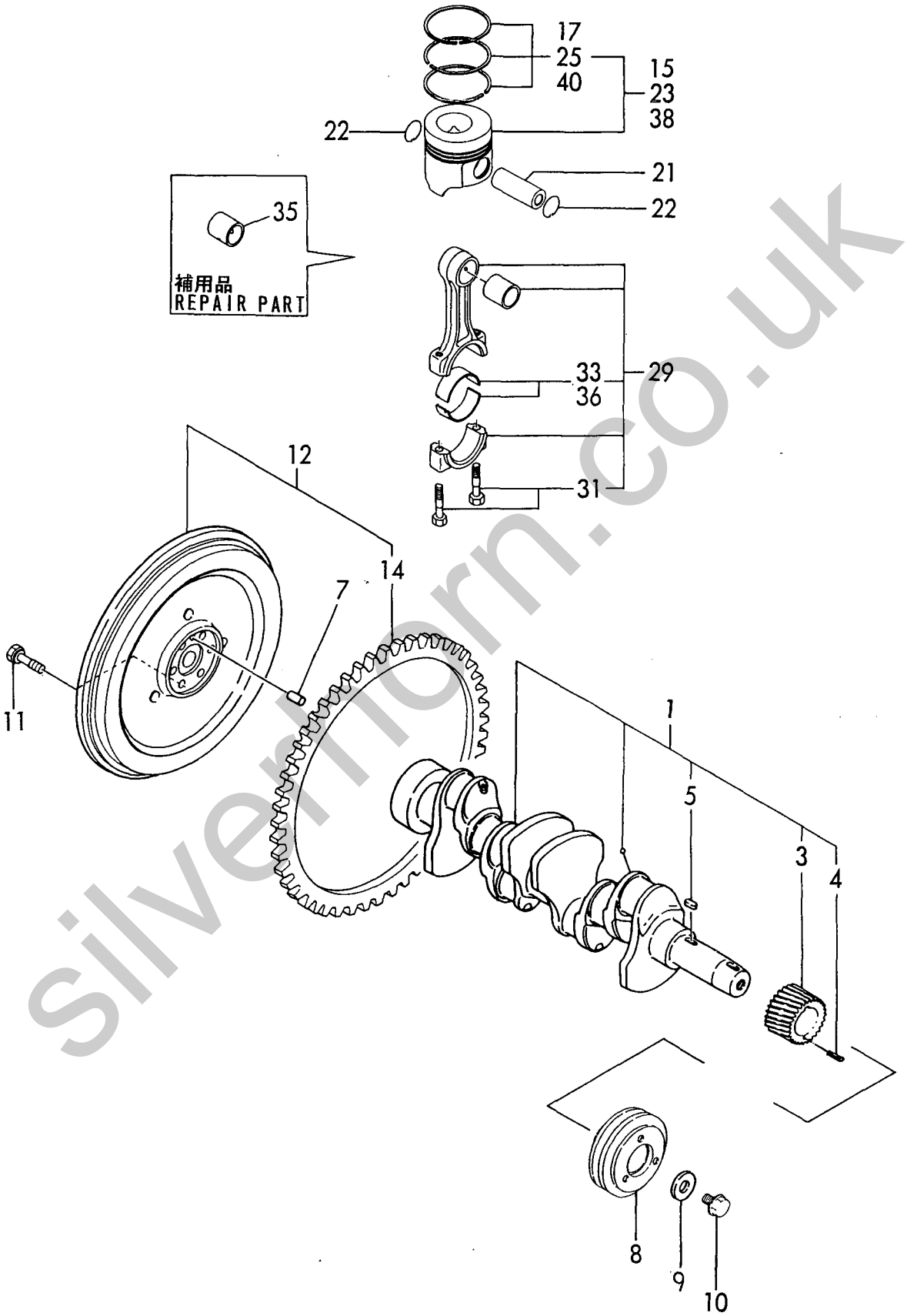


1,1,,729400-21700,, "CRANKSHAFT ASSY",1,,,,,,,,,,,,,  
 3,2,,129150-21200,, "GEAR, CRANKSHAFT",1,,,,,,,,,,,,,  
 4,2,,22351-040010,, "SPRING PIN 4X10",1,,,,,,,,,,,,,  
 5,2,,22512-070140,, "KEY 7X 14",1,,,,,,,,,,,,,  
 7,1,,129100-01580,, "PARALLEL PIN 8X16",1,,,,,,,,,,,,,  
 8,1,,171301-21650,, "V-PULLEY, CRANKSHAFT",1,,,,,,,,,,,,,  
 9,1,,129795-21661,, "WASHER",1,,,,,,,,,,,,,  
 10,1,,121850-21680,, "BOLT, V-PULLEY",1,,,,,,,,,,,,,  
 11,1,,121111-21501,, "BOLT, FLYWHEEL",6,,,,,,,,,,,,,  
 12,1,,129403-21590,, "FLYWHEEL ASSY",1,,,,,,,,,,,,,  
 14,2,,124550-21600,, "GEAR, RING",1,,,,,,,,,,,,,  
 15,1,,129105-22080,, "PISTON W/RING",4,,,,,,,,,,,,,  
 17,2,,129105-22500,, "RING SET, PISTON",4,,,,,,,,,,,,,  
 21,1,,129150-22300,, "PIN, PISTON",4,,,,,,,,,,,,,  
 22,1,,121100-22400,, "CIRCLIP",8,,,,,,,,,,,,,  
 23,1,,729105-22900,, "PISTON W/RING OS=.25",4,,,,,,,,,1,,,,,,,,,  
 25,2,,729157-22951,, "RING SET O.S=0.25",4,,,,,,,,,1,,,,,,,,,  
 29,1,,729150-23700,, "ROD ASSY, CONNECTING",4,,,,,,,,,,,,,  
 29-1,1,,729402-23100,, "ROD ASSY, CONNECTING",4,,,,,,N,NF-90014,"E/#  
 02817",,,,,,,,,  
 31,2,,121550-23200,, "BOLT, CONNECTING ROD",8,,,,,,,,,,,,,  
 33,2,,129150-23600,, "BEARING, CRANKPIN",4,,,,,,,,,,,,,  
 35,1,,129100-23910,, "BUSH, PISTON PIN",4,,,,,,,,,2,,,,,,,,,  
 36,1,,129150-23610,, "BEARING, PIN U.S=0.25",4,,,,,,,,,3,,,,,,,,,  
 38,1,,129105-22920,, "PISTON W/RING OS=0.5",4,,,,,,,,,4,,,,,,,,,  
 40,2,,129105-22970,, "RING SET O.S=0.50",4,,,,,,,,,4,,,,,,,,,





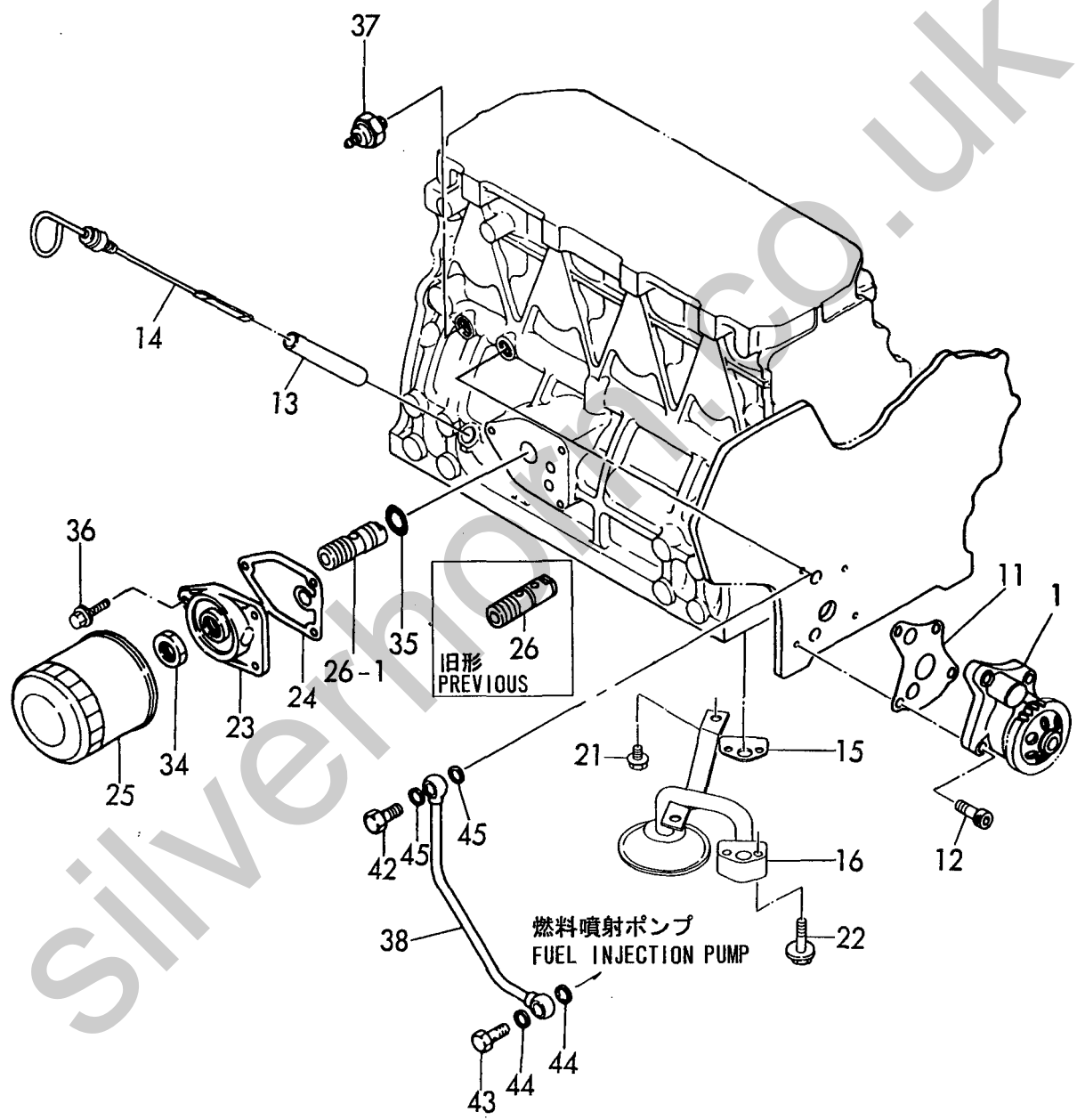
Fig. 8 クランクシャフト&ピストン  
CRANKSHAFT & PISTON



1,1,,129150-32000,,,"PUMP ASSY, LUB. OIL",1,,,,,,,,,,,,,  
1-1,1,,129407-32000,,,"PUMP ASSY, LUB. OIL",1,,,,,,N,,TE-94029,"E/#  
12913",,,,,,,,,  
11,1,,129150-32020,,,"GASKET, L.O. PUMP",1,,,,,,A,,,,,,,,,  
12,1,,26450-060252,,,"BOLT M 6X 25",4,,,,,,,,,,,,,  
13,1,,121520-34810,,,"GUIDE, DIPSTICK",1,,,,,,,,,,,,,  
14,1,,129403-34800,,,"DIPSTICK, LUB. OIL",1,,,,,,,,,,,,,  
15,1,,129150-35040,,,"GASKET, OIL STRAINER",1,,,,,,,,,,,,,  
15-1,1,,129150-35041,,,"GASKET, (NON-ASB.)",1,,,,,,N,A,TE-90028,"E/#  
03106",,,,,,,,,  
16,1,,129403-35090,,,"PIPE, OIL INLET",1,,,,,,,,,,,,,  
21,1,,26106-080122,,,"BOLT M 8X 12 PLATED",2,,,,,,,,,,,,,  
22,1,,26106-080352,,,"BOLT M 8X 35 PLATED",2,,,,,,,,,,,,,  
23,1,,129150-35101,,,"BRACKET, STRAINER",1,,,,,,,,,,,,,  
24,1,,129150-35110,,,"GASKET, BRACKET",1,,,,,,,,,,,,,  
24-1,1,,129150-35111,,,"GASKET, (NON-ASB.)",1,,,,,,N,A,TE-90028,"E/#  
03106",,,,,,,,,  
25,1,,129150-35150,,,"FILTER 90X80L",1,,,,,,,,,,,,,  
26,1,,119865-35300,,,"VALVE ASSY,OIL PRESS",1,,,,,,,,,,,,,  
26-1,1,,129001-35300,,,"BOLT,LUB.O. STRAINER",1,,,,,,S,,TE-94029,"E/#  
12913",,,,,,,,,  
34,1,,129150-35350,,,"NUT",1,,,,,,,,,,,,,  
35,1,,24311-000160,,,"O-RING 1A P-16.0",1,,,,,,A,,,,,,,,,  
36,1,,26106-080202,,,"BOLT M 8X 20 PLATED",3,,,,,,,,,,,,,  
37,1,,124160-39450,,,"SWITCH, OIL PRESSURE",1,,,,,,,,,,,,,  
38,1,,129550-39450,,,"PIPE ASSY, LUB. OIL",1,,,,,,,,,,,,,  
42,1,,124160-39140,,,"BOLT 10, PIPE JOINT",1,,,,,,,,,,,,,  
43,1,,124550-59820,,,"BOLT 8, PIPE JOINT",1,,,,,,,,,,,,,  
44,1,,43400-500410,,,"SEAL WASHER 8S",2,,,,,,,,,,,,,  
44-1,1,,22190-080002,,,"SEAL WASHER 8S",2,,,,,,N,,TN-93179,"E/# 12913",,,,,,,,,  
45,1,,23414-100000,,,"GASKET 10, ROUND",2,,,,,,,,,,,,,



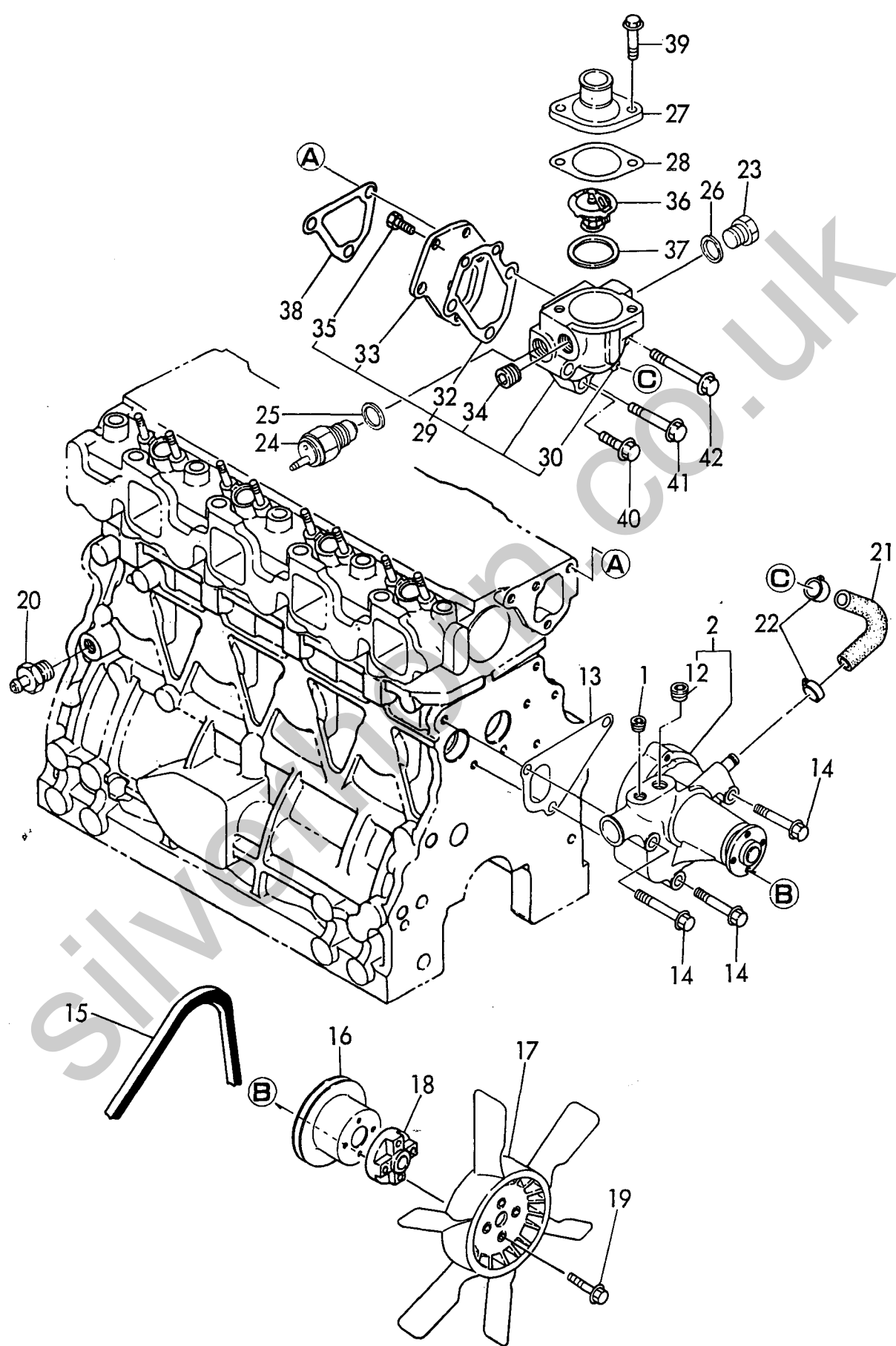
Fig. 9 潤滑油システム  
LUB. OIL SYSTEM



1,1,,121850-11860,, "PLUG PT1/4",1,,,,,,,,,,,,,  
2,1,,129100-42001,, "PUMP ASSY, C.WATER",1,,,,,,,,,,,,,  
2-1,1,,129100-42002,, "PUMP,C.W.(NON-ASB.)",1,,,,,,N,,TE-90028,"E/#  
03106",,,,,,,,,,,,,  
12,2,,23871-030000,, "PLUG PT3/8,SCREW",1,,,,,,,,,,,,,  
13,1,,129100-42020,, "GASKET, C.W. PUMP",1,,,,,,A,,,,,,,,,,,,,  
14,1,,26106-080602,, "BOLT M 8X 60 PLATED",3,,,,,,,,,,,,,  
15,1,,121492-42290,, "V-BELT (A-38)",1,,,,,,,,,,,,,  
15-1,1,,119865-42290,, "V-BELT (A-36)",1,,,,,,N,,\*,EXXX,,,,,,,,,,,,,  
16,1,,129403-42380,, "V-PULLEY(D=110)",1,,,,,,,,,,,,,  
17,1,,129432-44740,, "FAN,COOLING (D370\*EF)",1,,,,,,,,,,,,,  
18,1,,121267-44760,, "SPACER",1,,,,,,,,,,,,,  
19,1,,26014-060302,, "BOLT W/WASHER 6X 30",4,,,,,,,,,,,,,  
20,1,,121550-49111,, "JOINT PT1/4",1,,,,,,,,,,,,,  
21,1,,129100-49050,, "PIPE, C.W. (BY-PASS)",1,,,,,,,,,,,,,  
21-1,1,,129132-49050,, "PIPE, COOLING WATER",1,,,,,,N,,TN-94141,"E/#  
12913",,,,,,,,,,,,,  
22,1,,23000-016000,, "CLAMP 16",2,,,,,,,,,,,,,  
23,1,,121450-42450,, "PLUG M16",1,,,,,,,,,,,,,  
24,1,,121250-44901,, "SWITCH, THERMO(110&C)",1,,,,,,,,,,,,,  
25,1,,124465-44950,, "GASKET 16",1,,,,,,A,,,,,,,,,,,,,  
26,1,,124465-44950,, "GASKET 16",1,,,,,,A,,,,,,,,,,,,,  
27,1,,129350-49530,, "COVER, THERMOSTAT",1,,,,,,,,,,,,,  
28,1,,129795-49550,, "GASKET, THERMO.COVER",1,,,,,,,,,,,,,  
28-1,1,,129795-49551,, "GASKET, (NON-ASB.)",1,,,,,,N,A,TE-90028,"E/#  
03106",,,,,,,,,,,,,  
29,1,,129100-49800,, "CASE ASSY,THERMOSTAT",1,,,,,,,,,,,,,  
30,2,,124770-11770,, "JOINT PT1/8",1,,,,,,,,,,,,,  
32,2,,129100-49820,, "GASKET, COVER",1,,,,,,,,,,,,,  
33,2,,129100-49830,, "COVER,THERMOST.CASE",1,,,,,,,,,,,,,  
34,2,,23871-030000,, "PLUG PT3/8,SCREW",1,,,,,,,,,,,,,  
35,2,,26116-060162,, "BOLT M 6X 16 PLATED",2,,,,,,,,,,,,,  
36,1,,129155-49800,, "THERMOSTAT",1,,,,,,,,,,,,,  
37,1,,129150-49810,, "GASKET, THERMOSTAT",1,,,,,,,,,,,,,  
37-1,1,,129150-49811,, "GASKET, (NON-ASB.)",1,,,,,,N,A,TE-90028,"E/#  
03106",,,,,,,,,,,,,  
38,1,,129100-49840,, "GASKET, THERMO. CASE",1,,,,,,A,,,,,,,,,,,,,  
39,1,,26106-080202,, "BOLT M 8X 20 PLATED",2,,,,,,,,,,,,,  
40,1,,26106-080252,, "BOLT M 8X 25 PLATED",1,,,,,,,,,,,,,  
41,1,,26106-080502,, "BOLT M 8X 50 PLATED",1,,,,,,,,,,,,,  
42,1,,26106-080602,, "BOLT M 8X 60 PLATED",1,,,,,,,,,,,,,



Fig. 10 冷却水システム  
COOLING WATER SYSTEM

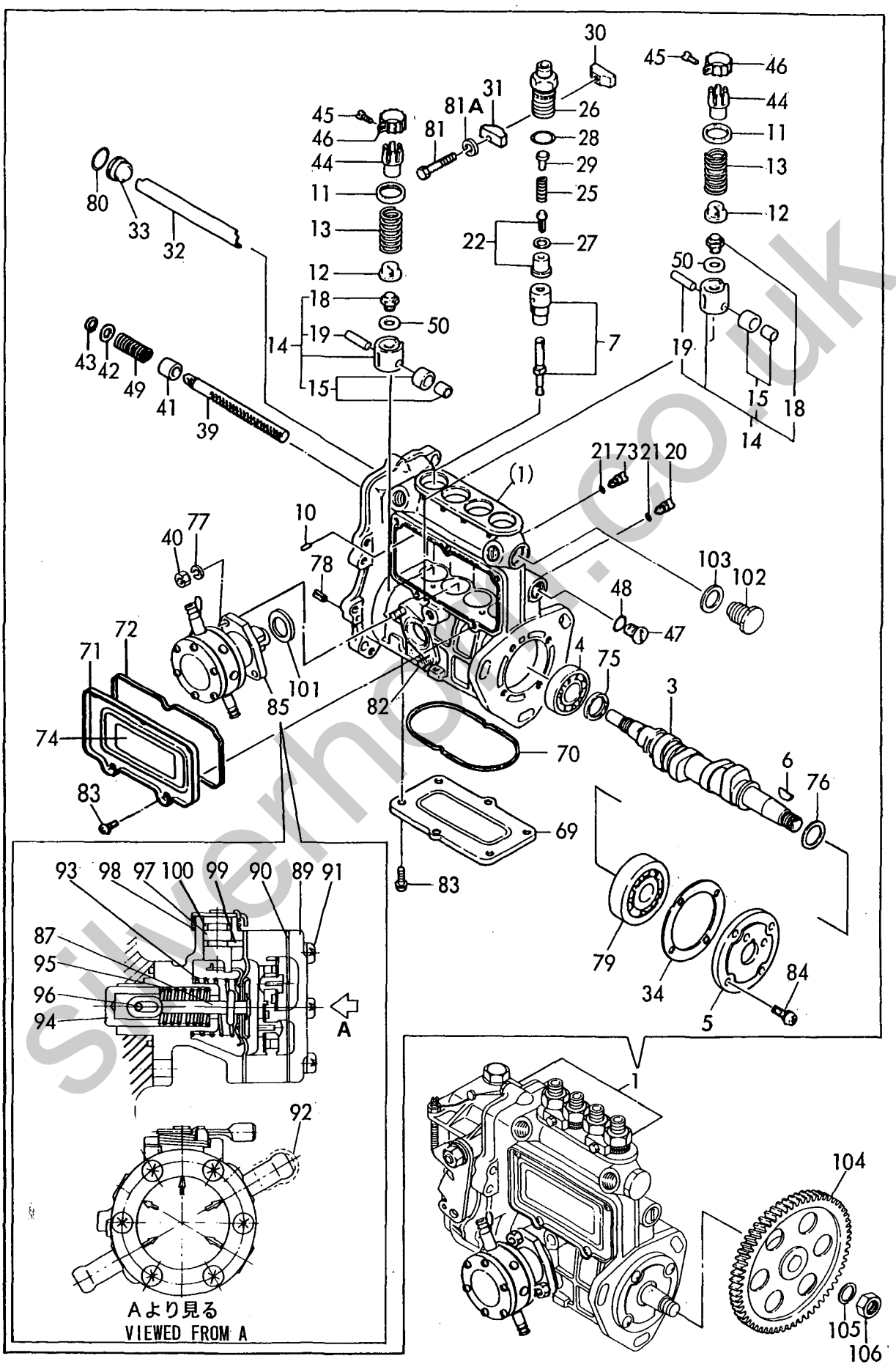


1,1,,729432-51370,, "PUMP W/GOV.& F.PUMP",1,,,,,,,,,1,,,,,,,,,  
3,2,,129470-51040,, CAMSHAFT,1,,,,,,,,,  
4,2,,129155-51050,, "BALL BEARING, THRUST",1,,,,,,,,,  
5,2,,129155-51060,, "CAM SHAFT SUPPORT",1,,,,,,,,,  
6,2,,122710-51090,, KEY,1,,,,,,,,,  
7,2,,129400-51100,, "PLUNGER W/BARREL",4,,,,,,,,,  
10,2,,129155-51140,, "PIN, BARREL LOCKING",4,,,,,,,,,  
11,2,,174307-51170,, "RETAINER A",4,,,,,,,,,  
12,2,,129155-51180,, "SPRING SHOE, PLUNGER",4,,,,,,,,,  
13,2,,124950-51190,, "SPRING, PLUNGER",4,,,,,,,,,  
14,2,,129155-51200,, "TAPPET ASSY",4,,,,,,,,,  
15,3,,711100-51540,, "ROLLER ASSY",4,,,,,,,,,  
18,3,,129155-51250,, "BOLT, ADJUSTING",4,,,,,,,,,  
19,3,,174100-54120,, "PIN, ROLLER",4,,,,,,,,,  
20,2,,129155-51270,, "LOCKING, TAPPET",4,,,,,,,,,  
21,2,,129155-51280,, "O-RING S6",5,,,,,,,,,  
22,2,,128170-51300,, "VALVE W/SEAT, DELIV.",4,,,,,,,,,  
25,2,,129155-51320,, "SPRING, DELIV. VALVE",4,,,,,,,,,  
26,2,,129155-51340,, "GUARD, DELIVERY VALVE",4,,,,,,,,,  
27,2,,124550-51350,, "GASKET, DELIVERY",4,,,,,,,,,  
28,2,,124550-51370,, "O-RING, DELIVERY",4,,,,,,,,,  
29,2,,129155-51370,, "STOPPER, VALVE",4,,,,,,,,,  
30,2,,129155-51380,, "LOCKING (A)",2,,,,,,,,,  
31,2,,129155-51390,, "LOCKING (B)",2,,,,,,,,,  
32,2,,129555-51400,, DEFLECTER,1,,,,,,,,,  
33,2,,129155-51410,, "CHECK BOLT, DEFLECTOR",1,,,,,,,,,  
34,2,,129155-51450,, "SHIM SET, ADJUSTING",1,,,,,,,,,  
39,2,,129555-51500,, "RACK, CONTROL",1,,,,,,,,,  
40,2,,26716-060002,, "NUT M 6",2,,,,,,,,,  
41,2,,129155-51521,, "BUSH, RACK",1,,,,,,,,,  
42,2,,129155-51530,, "SPACER, AUX. SPRING",1,,,,,,,,,  
43,2,,129155-51540,, CIRCLIP,1,,,,,,,,,  
44,2,,129155-51550,, "PINION, CONTROL",4,,,,,,,,,  
45,2,,122117-51560,, "SCREW, PINION",4,,,,,,,,,  
46,2,,174307-51560,, PINION,4,,,,,,,,,  
47,2,,129155-51570,, "PLUG (M12)",1,,,,,,,,,  
48,2,,129155-51580,, O-RING,1,,,,,,,,,  
49,2,,129155-51591,, "SPRING, RACK",1,,,,,,,,,  
50,2,,129155-51600,, "SHIM PACK",4,,,,,,,,,  
69,2,,129555-51700,, COVER,1,,,,,,,,,  
70,2,,129555-51710,, GASKET,1,,,,,,,,,  
71,2,,129555-51750,, "COVER, SIDE",1,,,,,,,,,  
72,2,,129555-51760,, GASKET,1,,,,,,,,,  
73,2,,129155-51790,, "LOCKING, RACK",1,,,,,,,,,  
74,2,,129156-51910,, "LABEL, CAUTION",1,,,,,,,,,  
75,2,,129155-51930,, "SPACER T=3.25",1,,,,,,,,,  
76,2,,129155-51940,, "SPACER T=1.5",1,,,,,,,,,  
77,2,,22217-060000,, "SPRING WASHER 6",2,,,,,,,,,  
78,2,,22351-050010,, "SPRING PIN 5X10",2,,,,,,,,,  
79,2,,24101-063034,, "BALL BEARING",1,,,,,,,,,  
80,2,,24341-000160,, "O-RING 1A S-16.0",1,,,,,,,,,  
81,2,,26116-050302,, "BOLT M 5X 30 PLATED",2,,,,,,,,,  
81A,2,,22217-050000,, "SPRING WASHER 5",2,,,,,W,\*,"FROM 1ST",,,,,,  
82,2,,129155-51020,, "STUD, FEED PUMP",2,,,,,,,,,  
83,2,,26022-050102,, "SCREW M 5X 10",11,,,,,,,,,  
84,2,,26022-060162,, "SCREW M 6X 16",4,,,,,,,,,  
85,2,,129100-52100,, "PUMP ASSY, FUEL FEED",1,,,,,,,,,  
87,3,,129158-52020,, DIAPHRAGM,1,,,,,,,,,  
89,3,,129158-52060,, COVER,1,,,,,,,,,  
90,3,,129158-52070,, GASKET,1,,,,,,,,,  
91,3,,129158-52080,, "SCREW, CROSS",6,,,,,,,,,  
92,3,,129158-52090,, CAP,2,,,,,,,,,  
93,3,,129158-52160,, SPRING,1,,,,,,,,,

94,3,,129158-52250,,TAPPET,1,,,,,,,,,,,,,  
95,3,,129158-52260,,SPRING,1,,,,,,,,,,,,,  
96,3,,129158-52270,, "PIN, TAPPET",1,,,,,,,,,,,,,  
97,3,,129158-52350,, "LEVER, PRIMING",1,,,,,,,,,,,,,  
98,3,,129158-52360,, "SPRING, RETURN",1,,,,,,,,,,,,,  
99,3,,129158-52370,, "PIN, PRIMING LEVER",1,,,,,,,,,,,,,  
100,3,,129158-52380,, "O-RING,PRIMING LEVER",1,,,,,,,,,,,,,  
101,2,,129155-52050,,GASKET,1,,,,,,,,,,,,,  
102,2,,129155-51420,, "PLUG (M16)",1,,,,,,,,,,,,,  
103,2,,43400-500490,, "SEAL WASHER 16S",1,,,,,,,,,,,,,  
103-1,2,,22190-160002,, "SEAL WASHER 16S",1,,,,,N,M1-93062,"E/# 12913",,,,,,  
104,1,,129150-25900,, "GEAR, FUEL INJ. PUMP",1,,,,,,,,,,,,,  
105,1,,22217-120000,, "WASHER 12,SPRING",1,,,,,,,,,,,,,  
106,1,,26716-120002,, "NUT M12",1,,,,,,,,,,,,,

Silverhorn.CO.UK

Fig. 11 燃料噴射ポンプ FUEL INJECTION PUMP

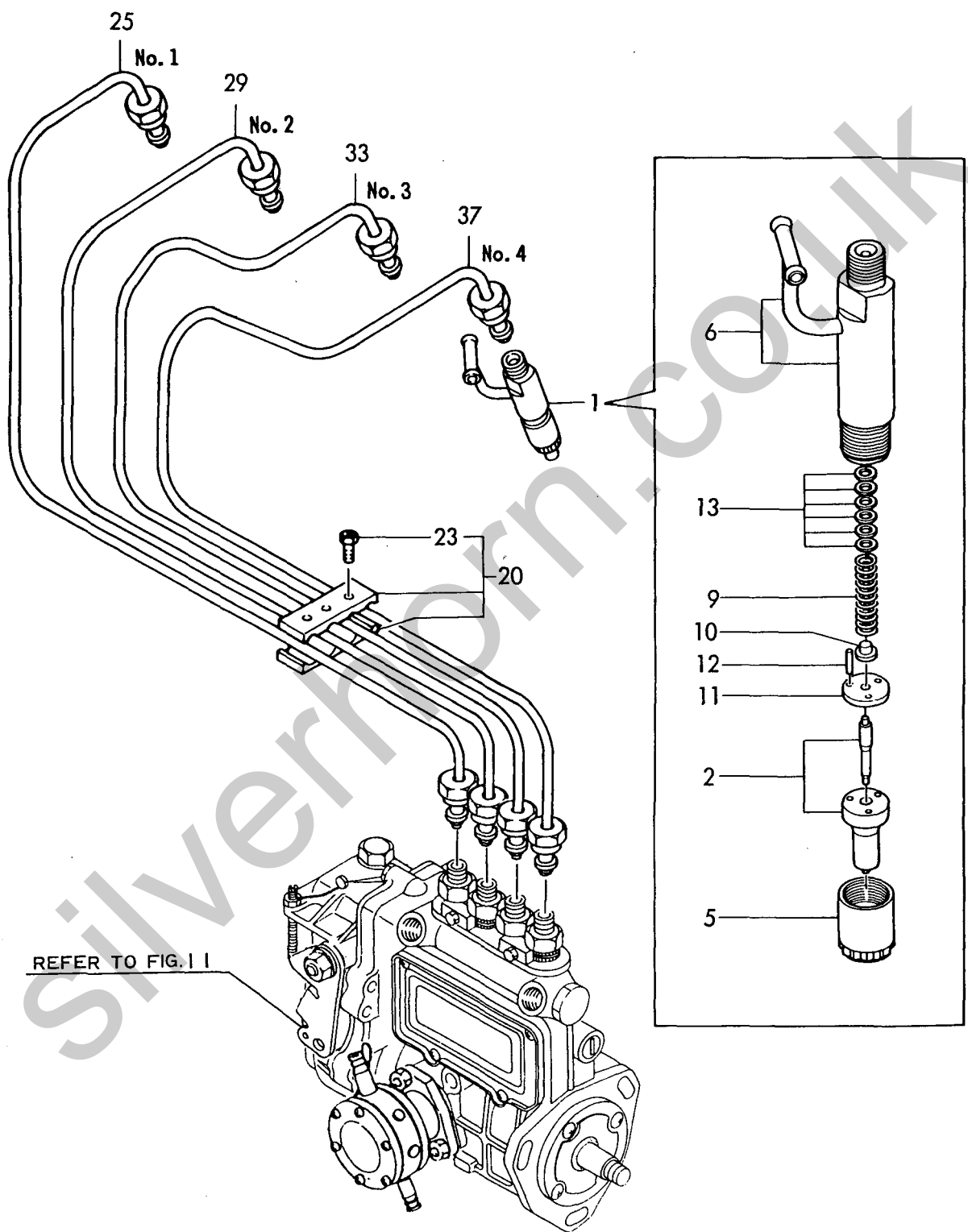




1,1,,729506-53100,, "VALVE ASSY,F.INJECT",4,,,,,,,,,,,,,  
2,2,,129506-53000,, "NOZZLE ASSY,F.INJECT",4,,,,,,,,,,,,,  
5,2,,114250-53080,, "NUT, NOZZLE CASE",4,,,,,,,,,,,,,  
6,2,,129100-53100,, "HOLDER ASSY, NOZZLE",4,,,,,,,,,,,,,  
9,2,,114250-53120,, "SPRING, NOZZLE",4,,,,,,,,,,,,,  
10,2,,114250-53130,, "SEAT, NOZZLE SPRING",4,,,,,,,,,,,,,  
11,2,,114250-53140,, "PLATE, STOP",4,,,,,,,,,,,,,  
12,2,,114250-53210,, PIN,8,,,,,,,,,,,,,  
13,2,,114250-53400,, "SHIM PACK",4,,,,,,,,,,,,,  
20,1,,129550-59120,, RETAINER,1,,,,,,,,,,,,,  
20-1,1,,129150-59120,, "RETAINER, INJ. PIPE",2,,,,,,N,,TE-93076,"E/#  
12913",,,,,,,,,,,,,  
23,2,,129150-59130,, "BOLT M 4X 12",2,,,,,,,,,,,,,  
23-1,2,,129150-59131,, "BOLT M4X14,HEX.SCKT.",4,,,,,,N,,TE-93076,"E/#  
12913",,,,,,,,,,,,,  
25,2,,129400-59910,, "PIPE, FUEL INJECTION",1,,,,,,,,,,,,,  
29,2,,129400-59920,, "PIPE, FUEL INJECTION",1,,,,,,,,,,,,,  
33,2,,129400-59930,, "PIPE, FUEL INJECTION",1,,,,,,,,,,,,,  
37,2,,129400-59940,, "PIPE, FUEL INJECTION",1,,,,,,,,,,,,,

Silverhorn.CO.UK

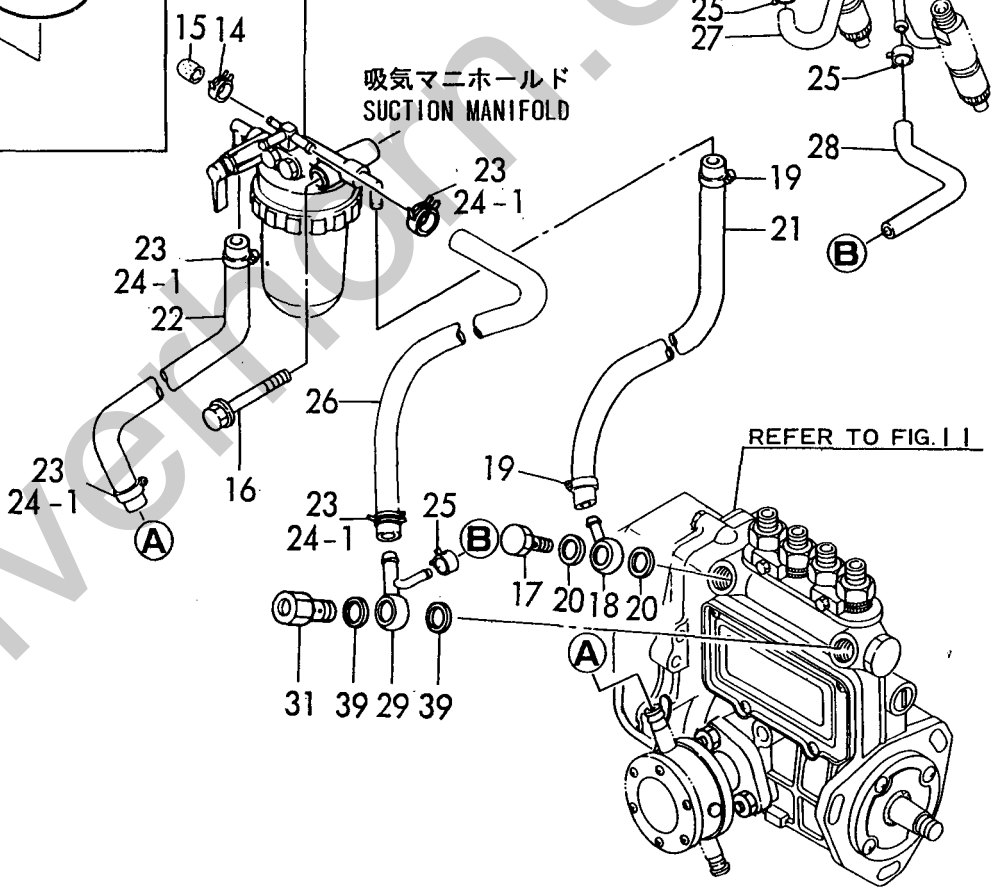
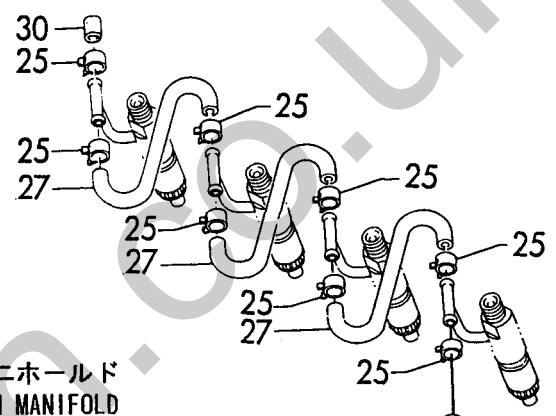
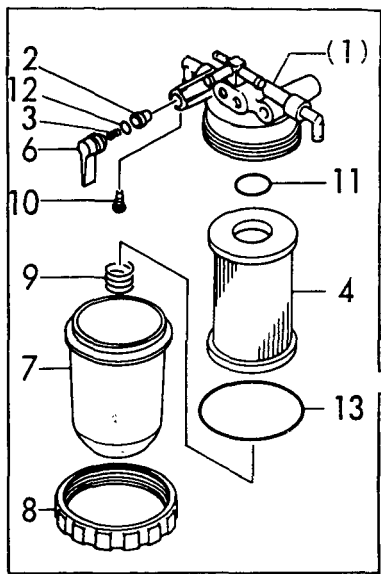
Fig. 12 燃料噴射パイプ  
FUEL INJECTION PIPE



1,1,,129100-55621,, "STRAINER ASSY, FUEL",1,,,,,,,,,,,,,  
 2,2,,104200-55321,, "VALVE, TAPER",1,,,,,,,,,,,,,  
 3,2,,104200-55330,, "SPRING, TAPER VALVE",1,,,,,,,,,,,,,  
 4,2,,129100-55650,, "ELEMENT, FUEL",1,,,,,,,,,,,,,  
 6,2,,129100-55670,, LEVER,1,,,,,,,,,,,,,  
 7,2,,129100-55680,, "CUP, STRAINER",1,,,,,,,,,,,,,  
 8,2,,129100-55690,, "RING, RETAINING",1,,,,,,,,,,,,,  
 9,2,,129100-55700,, SPRING,1,,,,,,,,,,,,,  
 10,2,,104200-55750,, "SCREW M 4",1,,,,,,,,,,,,,  
 11,2,,24311-000160,, "O-RING 1A P-16.0",1,,,,,,,,,,,,,  
 12,2,,24311-240100,, "O-RING 1A P-10A",1,,,,,,,,,,,,,  
 13,2,,24321-000650,, "O-RING 1A G-65.0",1,,,,,,,,,,,,,  
 14,1,,124066-59100,, "CLAMP 8",1,,,,,,,,,,,,,  
 15,1,,129150-59580,, CAP,1,,,,,,,,,,,,,  
 16,1,,26014-080702,, "BOLT W/WASHER M8X 70",1,,,,,,,,,,,,,  
 17,1,,103854-39140,, "BOLT, PIPE JOINT",1,,,,,,,,,,,,,  
 18,1,,101304-59020,, "JOINT 12, PIPE",1,,,,,,,,,,,,,  
 19,1,,124766-59050,, "CLAMP 12",2,,,,,,,,,,,,,  
 20,1,,104200-59170,, "GASKET 12",2,,,,,,,,,,,,,  
 21,1,,129555-59510,, "PIPE, FUEL",1,,,,,,,,,,,,,  
 22,1,,105025-59530,, "PIPE, FUEL",1,,,,,,,,,,,,,  
 23,1,,23000-013000,, "CLAMP 13",2,,,,,,Z, TN-91027,"E/# 06069",,,,,,  
 24,1,,124766-59050,, "CLAMP 12",2,,,,,,,,,,,,,  
 24-1,1,,124766-59050,, "CLAMP 12",4,,,,,,K, TN-91027,"E/# 06069",,,,,,  
 25,1,,124066-59100,, "CLAMP 8",9,,,,,,,,,,,,,  
 26,1,,105025-59530,, "PIPE, FUEL",1,,,,,,,,,,,,,  
 27,1,,121250-59550,, "PIPE, FUEL",3,,,,,,,,,,,,,  
 28,1,,119840-59560,, "PIPE, FUEL RETURN",1,,,,,,,,,,,,,  
 29,1,,119840-59570,, JOINT,1,,,,,,,,,,,,,  
 30,1,,129150-59580,, CAP,1,,,,,,,,,,,,,  
 31,1,,129100-59951,, "VALVE ASSY, CHECK",1,,,,,,,,,,,,,  
 39,1,,23414-120000,, "GASKET 12, ROUND",2,,,,,,,,,,,,,

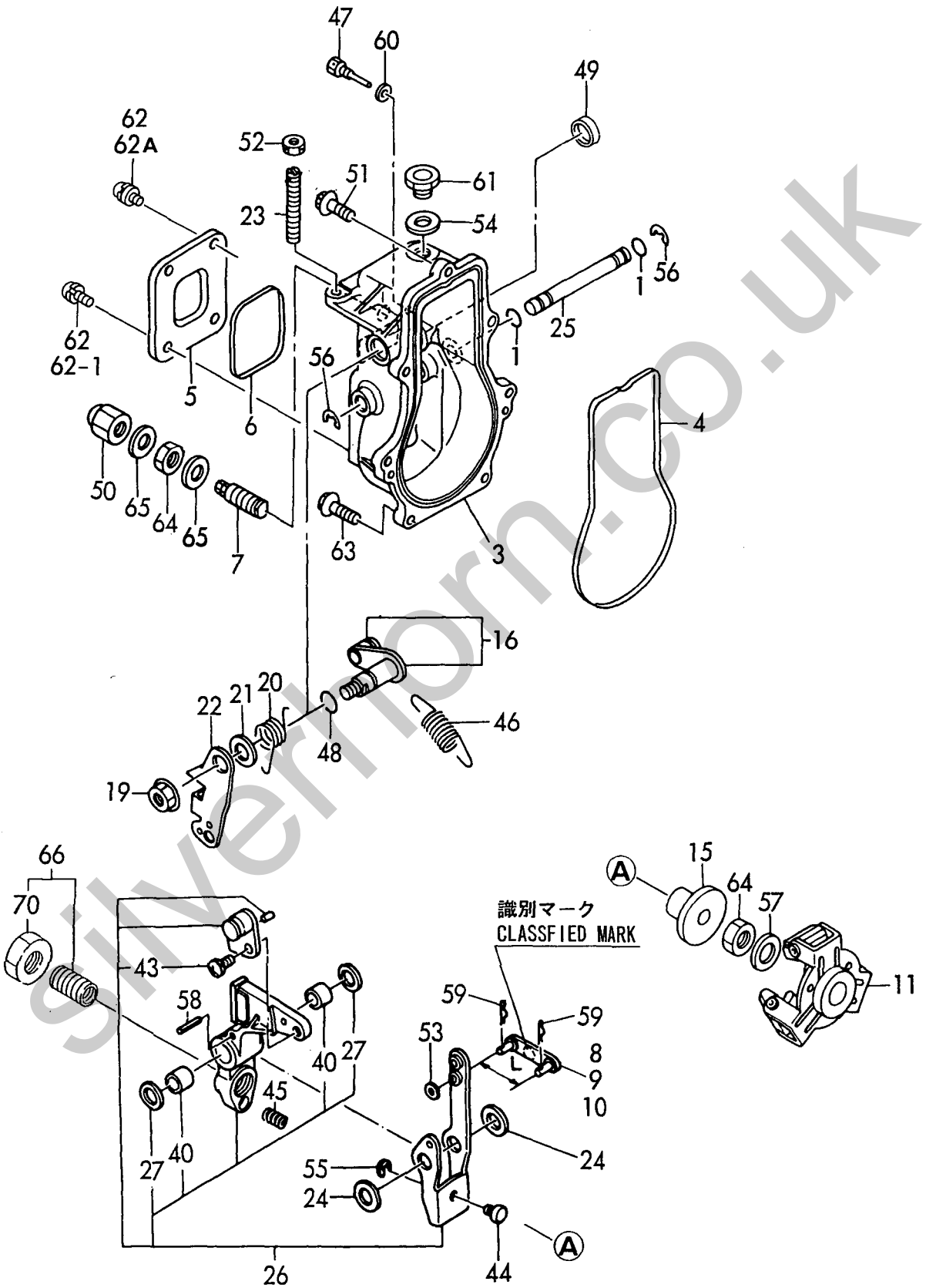


Fig. 13 燃料パイプ  
FUEL PIPE



1,1,,129155-51280,, "O-RING S6",2,,,,,,,,,,,,,,,,,,,,,  
3,1,,129155-61011,, "CASE, GOVERNOR",1,,,,,,,,,,,,,,,,,,,,,  
3-1,1,,129155-61012,, "CASE, GOVERNOR",1,,,,,,N,,M1-91177,"E/# 12049",,,,,,,,,,  
4,1,,129155-61050,, "GASKET, GOV. CASE",1,,,,,,,,,,,,,,,,,,,,,  
5,1,,129155-61060,, "COVER, GOVERNOR CASE",1,,,,,,,,,,,,,,,,,,,,,  
6,1,,129155-61070,, "GASKET, CASE COVER",1,,,,,,,,,,,,,,,,,,,,,  
7,1,,129155-61470,, "BOLT, FUEL CONTROL",1,,,,,,,,,,,,,,,,,,,,,  
8,1,,129155-61120,, "LINK L=30(MARK 0)",1,,,,,,1,,,,,  
9,1,,129155-61130,, "LINK L=31(MARK 1)",1,,,,,,1,,,,,  
10,1,,129155-61140,, "LINK L=30.5(MARK 05)",1,,,,,,1,,,,,  
11,1,,129155-61201,, "WEIGHT ASSY, GOV.",1,,,,,,,,,,,,,,,,,,,,,  
15,1,,129155-61341,, "SLEEVE",1,,,,,,,,,,,,,,,,,,,,,  
16,1,,129100-61400,, "SHAFT ASSY, CONTROL",1,,,,,,,,,,,,,,,,,,,,,  
19,1,,129255-61410,, "NUT",1,,,,,,,,,,,,,,,,,,,,,  
20,1,,129255-61420,, "SPRING",1,,,,,,,,,,,,,,,,,,,,,  
21,1,,129155-61430,, "SPACER, SHAFT",1,,,,,,,,,,,,,,,,,,,,,  
22,1,,129100-61440,, "LEVER, CONTROL",1,,,,,,,,,,,,,,,,,,,,,  
23,1,,129155-61450,, "BOLT, REVOL. LIMIT",1,,,,,,,,,,,,,,,,,,,,,  
24,1,,129155-61480,, "SPACER ASSY",2,,,,,,,,,,,,,,,,,,,,,  
25,1,,129155-61490,, "SHAFT, GOV. LEVER",1,,,,,,,,,,,,,,,,,,,,,  
26,1,,129500-61500,, "LEVER ASSY, GOVERNOR",1,,,,,,,,,,,,,,,,,,,,,  
26-1,1,,129500-61501,, "LEVER ASSY, GOVERNOR",1,,,,,,N,,M1-91177,"E/#  
12049",,,,,,,,,,  
27,2,,174307-51700,, "SHIM SET",2,,,,,,,,,,,,,,,,,,,,,  
40,2,,129155-61530,, "BUSH",2,,,,,,,,,,,,,,,,,,,,,  
40-1,2,,119843-61550,, "BUSH",2,,,,,,N,,M1-91177,"E/# 12049",,,,,,,,,,  
43,2,,26022-060122,, "SCREW M 6X 12",1,,,,,,,,,,,,,,,,,,,,,  
44,1,,129155-61540,, "SHIFTER",1,,,,,,,,,,,,,,,,,,,,,  
45,1,,129100-61650,, "SPRING, FUEL CONTROL",1,,,,,,,,,,,,,,,,,,,,,  
46,1,,171353-61710,, "SPRING, GOVERNOR",1,,,,,,,,,,,,,,,,,,,,,  
47,1,,129155-61810,, "PIN, STOP LEVER",1,,,,,,,,,,,,,,,,,,,,,  
48,1,,129155-61830,, "O-RING S10",1,,,,,,,,,,,,,,,,,,,,,  
49,1,,129100-61851,, "PLUG (15)",1,,,,,,,,,,,,,,,,,,,,,  
50,1,,26687-120002,, "CAP NUT M12",1,,,,,,,,,,,,,,,,,,,,,  
51,1,,129155-61950,, "BOLT, WASHER BASED",1,,,,,,,,,,,,,,,,,,,,,  
52,1,,124550-66370,, "LOCK NUT M 6",1,,,,,,,,,,,,,,,,,,,,,  
53,1,,22117-040000,, "WASHER 4",1,,,,,,,,,,,,,,,,,,,,,  
54,1,,43400-500430,, "SEAL WASHER 10S",1,,,,,,,,,,,,,,,,,,,,,  
54-1,1,,22190-100002,, "SEAL WASHER 10",1,,,,,,N,,N1-93059,"E/# 12913",,,,,,,,,,  
55,1,,22272-000040,, "CIRCLIP E- 4",1,,,,,,,,,,,,,,,,,,,,,  
56,1,,22272-000060,, "CIRCLIP E- 6",2,,,,,,,,,,,,,,,,,,,,,  
57,1,,22287-120000,, "WASHER 12",1,,,,,,,,,,,,,,,,,,,,,  
58,1,,22351-030016,, "SPRING PIN 3X16",1,,,,,,,,,,,,,,,,,,,,,  
59,1,,22360-040000,, "SNAP PIN 4",2,,,,,,,,,,,,,,,,,,,,,  
59-1,1,,22372-040000,, "SNAP PIN 4",2,,,,,,N,,M1-91018,"E/# 06069",,,,,,,,,,  
60,1,,43400-500390,, "SEAL WASHER 6S",1,,,,,,,,,,,,,,,,,,,,,  
60-1,1,,22190-060002,, "SEAL WASHER 6",1,,,,,,N,,N1-93059,"E/# 12913",,,,,,,,,,  
61,1,,23887-100002,, "PLUG 10",1,,,,,,,,,,,,,,,,,,,,,  
62,1,,26022-050102,, "SCREW M 5X 10",4,,,,,,,,,,,,,,,,,,,,,  
62-1,1,,26022-050102,, "SCREW M 5X 10",2,,,,,,K,,M1-91162,"E/# 12913",,,,,,,,,,  
62A,1,,26023-050102,, "SCREW M 5X 10",2,,,,,,W,,M1-91162,"E/# 12913",,,,,,,,,,  
63,1,,26106-060202,, "BOLT M 6X 20 PLATED",6,,,,,,,,,,,,,,,,,,,,,  
64,1,,26776-120002,, "LOCK NUT M12 PLATED",2,,,,,,,,,,,,,,,,,,,,,  
65,1,,43400-500450,, "SEAL WASHER 12S",2,,,,,,,,,,,,,,,,,,,,,  
65-1,1,,22190-120002,, "SEAL WASHER 12",2,,,,,,N,,N1-93059,"E/# 12913",,,,,,,,,,  
66,1,,129432-61550,, "UNGLEICH ASSY",1,,,,,,,,,,,,,,,,,,,,,  
70,2,,129155-61590,, "NUT",1,,,,,,,,,,,,,,,,,,,,,

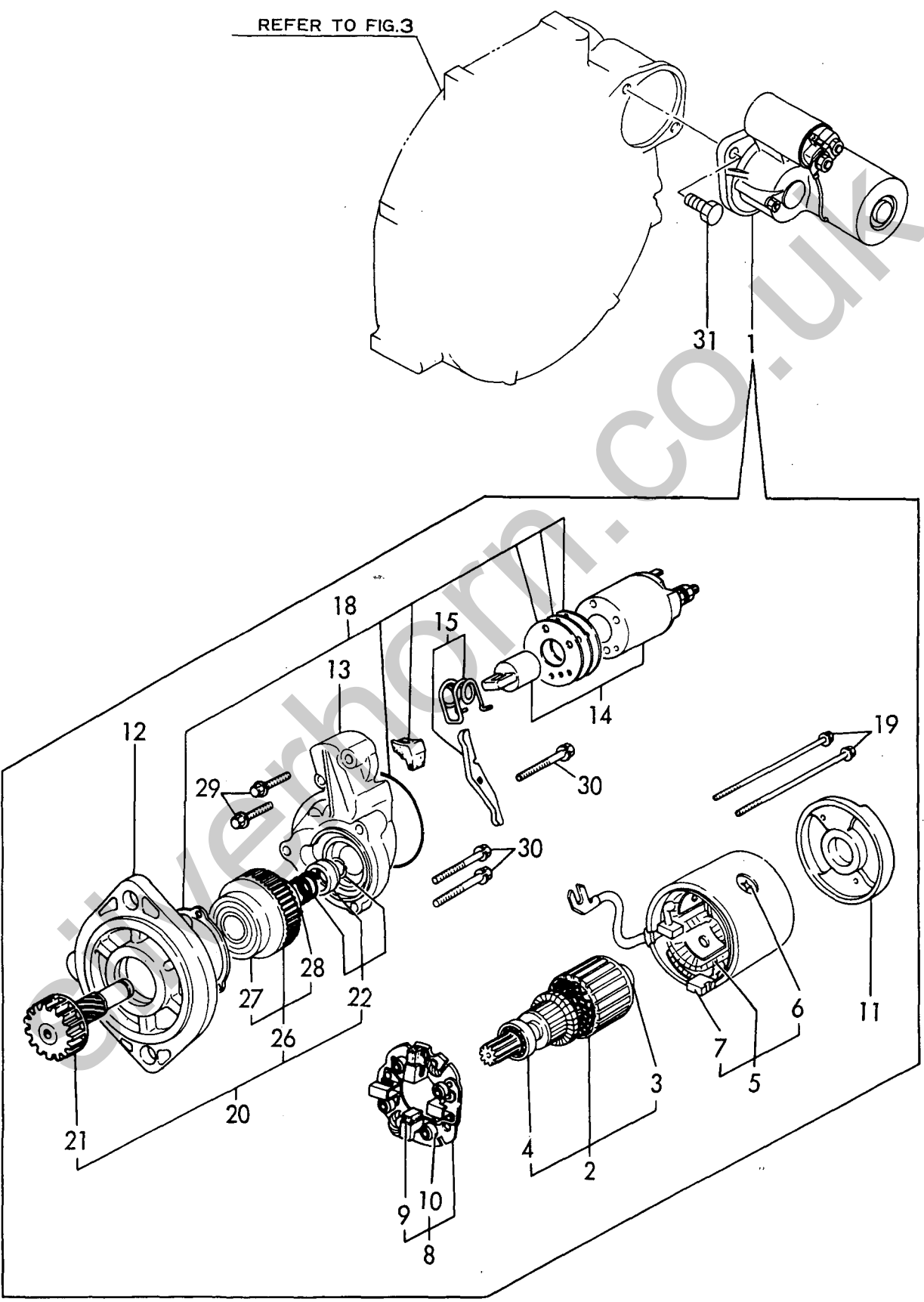
Fig. 14 **ガバナ**  
GOVERNOR



1,1,,129400-77010,,STARTER,1,,,,,,,,,,,,,  
1-1,1,,129400-77011,,STARTER,1,,,,,,N,,JH-90019,"E/# 03696",,,,,,  
2,2,,129400-77400,, "ARMATURE ASSY",1,,,,,,,,,,,,,  
2-1,2,,129400-77401,, "ARMATURE, (NON-ASB.)",1,,,,,,N,,JH-90019,"E/#  
03696",,,,,,  
3,3,,171008-77410,,BEARING(1),1,,,,,,,,,,,,,  
4,3,,171008-77420,,BEARING(2),1,,,,,,,,,,,,,  
5,2,,129400-77440,, "COIL ASSY, FIELD",1,,,,,,,,,,,,,  
6,3,,171008-77450,, "SCREW, POLE CORE SET",4,,,,,,,,,,,,,  
7,3,,129400-77460,, "BRUSH (+)",2,,,,,,,,,,,,,  
8,2,,129400-77470,, "HOLDER ASSY, BRUSH",1,,,,,,,,,,,,,  
9,3,,129400-77480,, "BRUSH (-)",2,,,,,,,,,,,,,  
10,3,,129400-77490,, "SPRING, BRUSH",4,,,,,,,,,,,,,  
11,2,,129400-77510,, "COVER, REAR",1,,,,,,,,,,,,,  
12,2,,171008-77510,, "HOUSING ASSY, GEAR",1,,,,,,,,,,,,,  
13,2,,129400-77520,, "HOUSING, CENTER",1,,,,,,,,,,,,,  
14,2,,129400-77530,, "SWITCH ASSY,MAGNETIC",1,,,,,,,,,,,,,  
15,2,,171008-77540,, "LEVER SET, SHIFT",1,,,,,,,,,,,,,  
18,2,,129400-77570,, "COVER KIT, DUST",1,,,,,,,,,,,,,  
18-1,2,,129400-77571,, "DUST COVER,(NON-ASB.)",1,,,,,,N,,JH-90019,"E/#  
03696",,,,,,  
19,2,,129400-77640,, "BOLT, THROUGH",2,,,,,,,,,,,,,  
20,2,,171008-77650,, "PINION ASSY",1,,,,,,,,,,,,,  
21,3,,171008-77660,, "SHAFT, PINION",1,,,,,,,,,,,,,  
22,3,,171008-77670,, "STOPPER SET, PINION",1,,,,,,,,,,,,,  
26,3,,171008-77720,, "CLUTCH ASSY",1,,,,,,,,,,,,,  
27,4,,171008-77730,, "BALL BEARING (3)",1,,,,,,,,,,,,,  
28,4,,171008-77740,, "BALL BEARING (4)",1,,,,,,,,,,,,,  
29,2,,26106-060322,, "BOLT M 6X 32 PLATED",2,,,,,,,,,,,,,  
30,2,,26106-060402,, "BOLT M 6X 40 PLATED",3,,,,,,,,,,,,,  
31,1,,26116-120252,, "BOLT M12X 25 PLATED",2,,,,,,,,,,,,,

Fig. 15 スターティングモータ  
STARTING MOTOR

REFER TO FIG.3

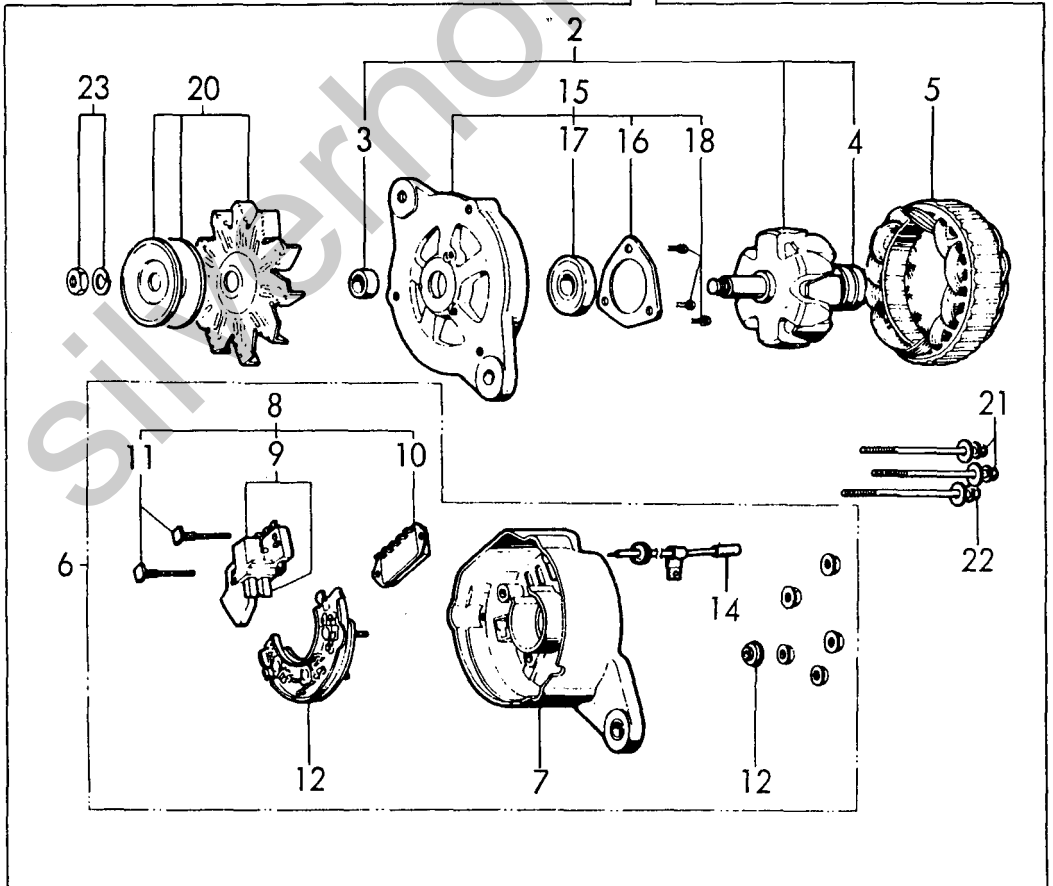
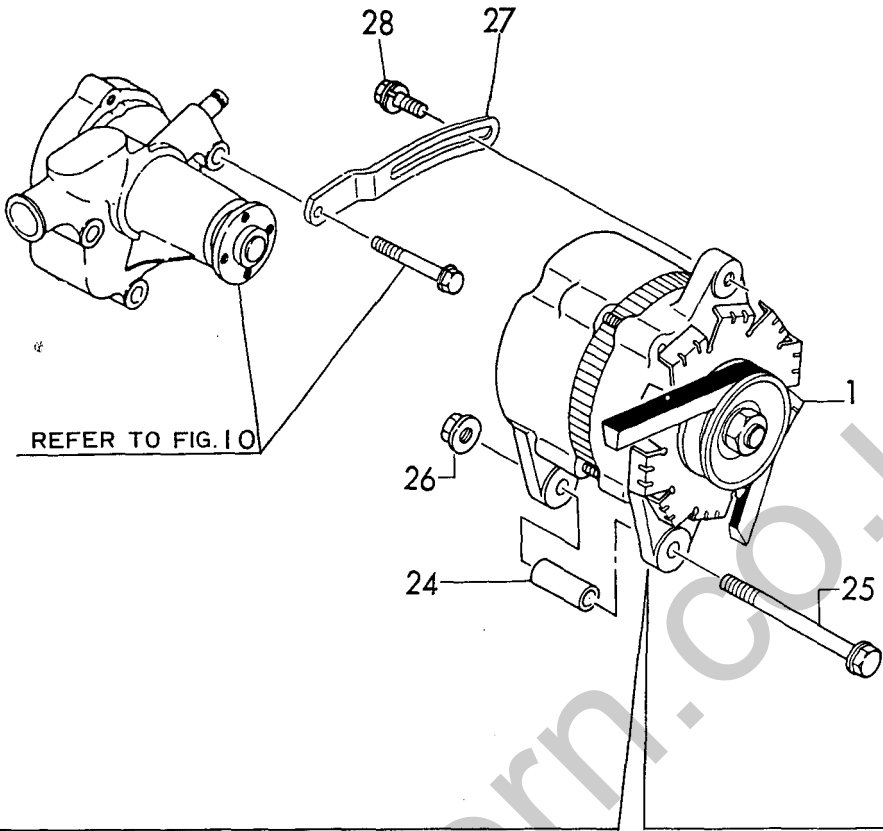




1,1,,124080-77201,,GENERATOR,1,,,,,,,,,,,,,  
2,2,,124080-77300,,,"ROTOR ASSY",1,,,,,,,,,,,,,  
3,3,,124080-77310,,SPACER,1,,,,,,,,,,,,,  
4,3,,124080-77490,,,"BALL BEARING",1,,,,,,,,,,,,,  
5,2,,124080-77320,,,"STATOR ASSY",1,,,,,,,,,,,,,  
6,2,,124080-77330,,,"COVER ASSY, REAR",1,,,,,,,,,,,,,  
7,3,,124080-77340,,,"COVER, REAR",1,,,,,,,,,,,,,  
8,3,,124080-77350,,,"BRUSH ASSY,REGULATOR",1,,,,,,,,,,,,,  
9,4,,124080-77360,,,"BRUSH ASSY",2,,,,,,,,,,,,,  
10,4,,124080-77390,,,"REGULATOR ASSY",1,,,,,,,,,,,,,  
11,4,,124080-77520,,,"BOLT M5",2,,,,,,,,,,,,,  
12,3,,124080-77400,,,"DIODE ASSY",1,,,,,,,,,,,,,  
14,3,,124080-77530,,,"WIRE ASSY, LEAD",1,,,,,,,,,,,,,  
15,2,,124080-77420,,,"COVER ASSY, FRONT",1,,,,,,,,,,,,,  
16,3,,124080-77430,,,"RETAINER, BEARING",1,,,,,,,,,,,,,  
17,3,,124080-77480,,,"BALL BEARING",1,,,,,,,,,,,,,  
18,3,,124080-77500,,,"SCREW KIT",1,,,,,,,,,,,,,  
20,2,,124080-77440,,,"PULLEY ASSY",1,,,,,,,,,,,,,  
21,2,,124080-77450,,,"BOLT, THROUGH",2,,,,,,,,,,,,,  
22,2,,124080-77460,,,"BOLT, THROUGH",1,,,,,,,,,,,,,  
23,2,,124080-77470,,,"NUT ASSY, PULLEY",1,,,,,,,,,,,,,  
24,1,,129150-77340,,SPACER,1,,,,,,,,,,,,,  
25,1,,26106-081202,,,"BOLT M 8X120 PLATED",1,,,,,,,,,,,,,  
26,1,,26366-080002,,,"NUT M 8",1,,,,,,,,,,,,,  
27,1,,129410-77330,,,"ADJUSTER, V-BELT",1,,,,,,,,,,,,,  
28,1,,26014-080252,,,"BOLT M 8X 25",1,,,,,,,,,,,,,

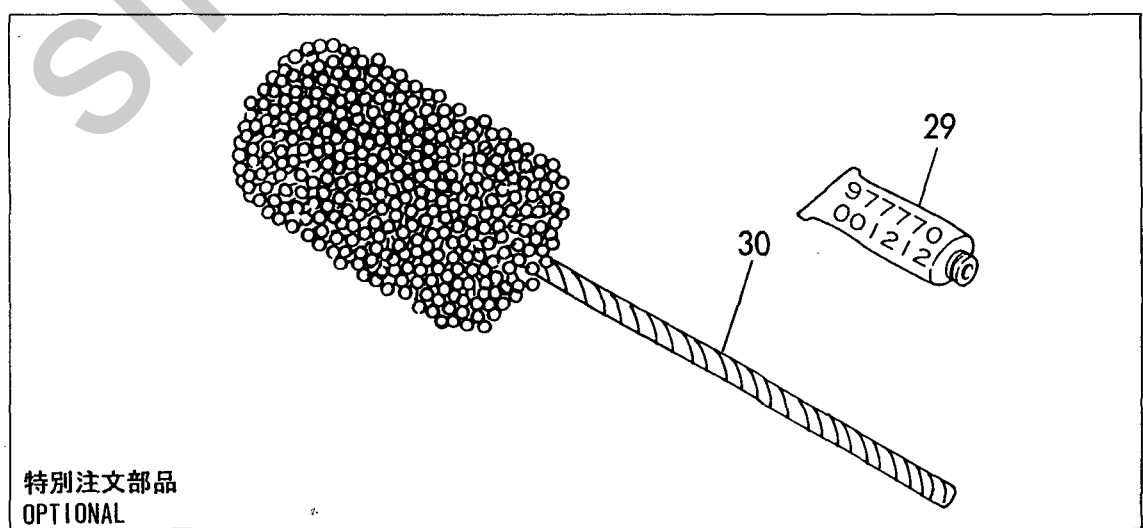
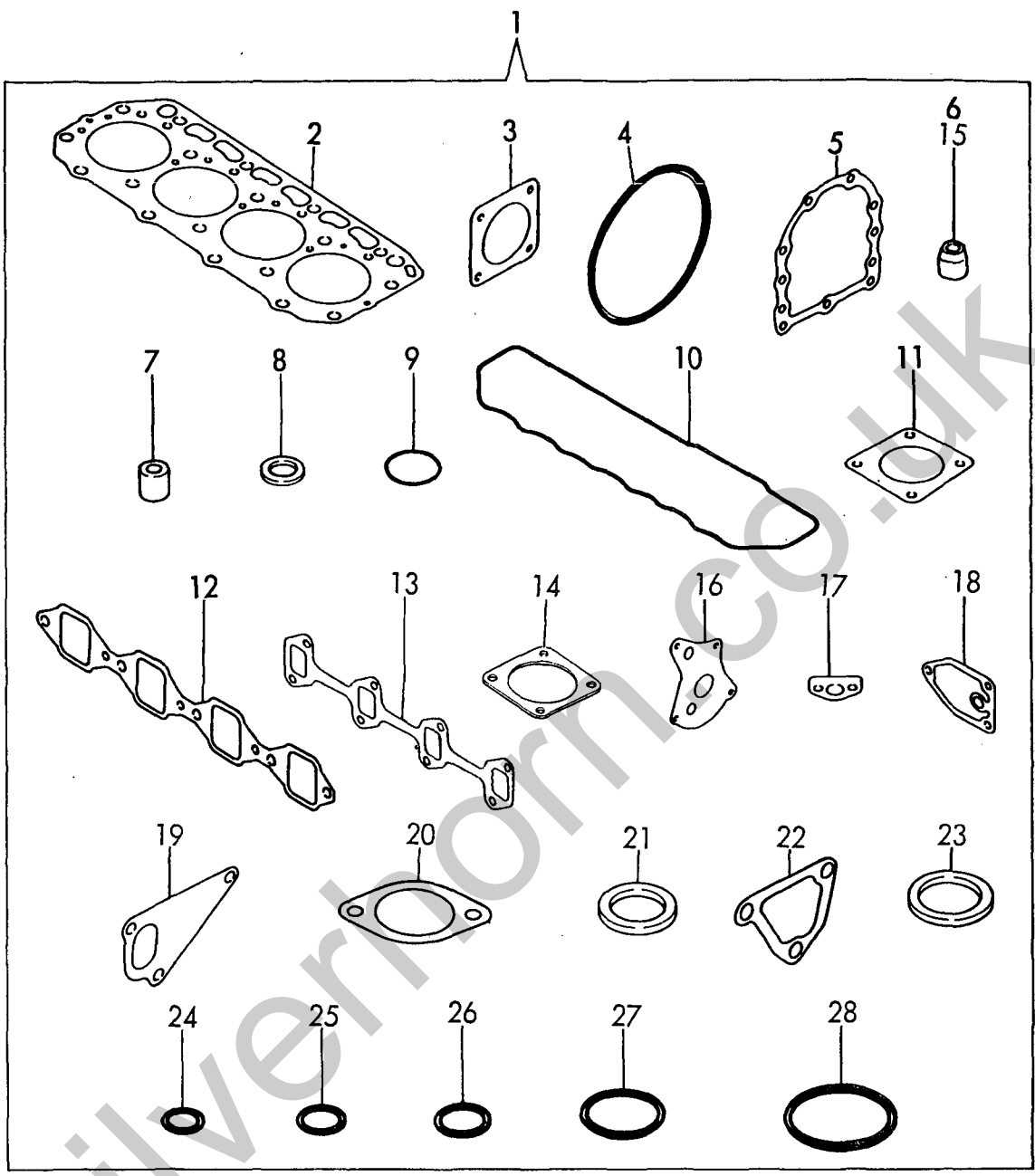
Silverhorn.co.uk

Fig. 16 ジェネレータ GENERATOR



1,1,,729432-92600,, "GASKET SET(NON-ASB.)",1,,,,,1,,,,,  
1-1,1,,729432-92602,, "GASKET SET(NON-ASB.)",1,,,,,N,1,TE-90028,"E/#  
03106" ,,,,,,  
2,2,,129405-01330,, "GASKET, CYL.HEAD",1,,,,,1,,,,,  
2-1,2,,129405-01331,, "GASKET, (NON-ASB.)",1,,,,,N,TE-93048,"E/# 12913" ,,,,,,  
3,2,,124240-01882,, "GASKET, HO-P",1,,,,,1,,,,,  
3-1,2,,124240-01883,, "GASKET, (NON-ASB.)",1,,,,,N,\*,"FROM 1ST" ,,,,,,  
4,2,,121850-51960,, "O-RING, F.I.PUMP",1,,,,,1,,,,,  
5,2,,129150-01660,, "GASKET,OIL SEAL CASE",1,,,,,Z,\*,"FROM 1ST" ,,,,,,  
6,2,,124460-11340,, "SEAL, VALVE STEM",4,,,,,1,,,,,  
7,2,,119625-11870,, "PROTECTOR, NOZZLE",4,,,,,1,,,,,  
8,2,,119625-11880,, "SEAT, NOZZLE",4,,,,,1,,,,,  
9,2,,24311-000320,, "O-RING 1A P-32.0",1,,,,,1,,,,,  
10,2,,129550-11310,, "GASKET, BONNET",1,,,,,1,,,,,  
11,2,,129150-77510,, "GASKET, AIR HEATER",1,,,,,1,,,,,  
11-1,2,,129150-77511,, "GASKET, (NON-ASB.)",1,,,,,N,TE-90028,"E/#  
03106" ,,,,,,  
12,2,,129550-12110,, "GASKET, SUC.MANIFOLD",1,,,,,1,,,,,  
12-1,2,,129550-12111,, "GASKET, (NON-ASB.)",1,,,,,N,TE-90028,"E/#  
03106" ,,,,,,  
13,2,,129550-13110,, "GASKET, EXH.MANIFOLD",1,,,,,1,,,,,  
14,2,,129400-13200,, "GASKET, SILENCER",1,,,,,1,,,,,  
14-1,2,,129400-13201,, "GASKET, (NON-ASB.)",1,,,,,N,TE-90034,"E/#  
03106" ,,,,,,  
15,2,,121400-11340,, "SEAL, VALVE STEM",4,,,,,1,,,,,  
16,2,,129150-32020,, "GASKET, L.O. PUMP",1,,,,,1,,,,,  
17,2,,129150-35040,, "GASKET, OIL STRAINER",1,,,,,1,,,,,  
17-1,2,,129150-35041,, "GASKET, (NON-ASB.)",1,,,,,N,TE-90028,"E/#  
03106" ,,,,,,  
18,2,,129150-35110,, "GASKET, BRACKET",1,,,,,1,,,,,  
18-1,2,,129150-35111,, "GASKET, (NON-ASB.)",1,,,,,N,TE-90028,"E/#  
03106" ,,,,,,  
19,2,,129100-42020,, "GASKET, C.W. PUMP",1,,,,,1,,,,,  
20,2,,129795-49550,, "GASKET, THERMO.COVER",1,,,,,1,,,,,  
20-1,2,,129795-49551,, "GASKET, (NON-ASB.)",1,,,,,N,TE-90028,"E/#  
03106" ,,,,,,  
21,2,,129150-49810,, "GASKET, THERMOSTAT",1,,,,,1,,,,,  
21-1,2,,129150-49811,, "GASKET, (NON-ASB.)",1,,,,,N,TE-90028,"E/#  
03106" ,,,,,,  
22,2,,129100-49840,, "GASKET, THERMO. CASE",1,,,,,1,,,,,  
23,2,,124465-44950,, "GASKET 16",2,,,,,1,,,,,  
24,2,,24311-000120,, "O-RING 1A P 12.0",3,,,,,1,,,,,  
25,2,,24311-000160,, "O-RING 1A P-16.0",1,,,,,1,,,,,  
26,2,,24311-000180,, "O-RING 1A P-18.0",2,,,,,1,,,,,  
27,2,,24311-000320,, "O-RING 1A P-32.0",1,,,,,1,,,,,  
28,2,,24341-000500,, "O-RING 1A S-50.0",1,,,,,Z,\*,"FROM 1ST" ,,,,,,  
29,1,,977770-01212,, "GASKET, LIQUID",1,,,,,1,,,,,  
30,1,,129400-92420,, "FLEX HORN",1,,,,,1,,,,,

Fig. 17 パッキンセット&特殊工具(オプション)  
 GASKET SET & SPECIAL TOOL (OPTIONAL)



特別注文部品  
 OPTIONAL

0,Y00B4481  
1,002,, "ENGINE 4TN84L-RBD"  
2,1,, "CYLINDER BLOCK",4TN84L-RBD,,,  
2,2,, "GEAR HOUSING",4TN84L-RBD,,,  
2,3,, "FLYWHEEL HOUSING &LUB.OIL SUMP",4TN84L-RBD,,,  
2,4,, "CYLINDER HEAD & BONNET",4TN84L-RBD,,,  
2,5,, "SUC. MANIFOLD & AIR CLEANER",4TN84L-RBD,,,  
2,6,, "EXH. MANIFOLD & SILENCER",4TN84L-RBD,,,  
2,7,, "CAMSHAFT & DRIVING GEAR",4TN84L-RBD,,,  
2,8,, "CRANKSHAFT & PISTON",4TN84L-RBD,,,  
2,9,, "LUB. OIL SYSTEM",4TN84L-RBD,,,  
2,10,, "COOLING WATER SYSTEM",4TN84L-RBD,,,  
2,11,, "FUEL INJECTION PUMP",4TN84L-RBD,,,  
2,12,, "FUEL INJECTION PIPE",4TN84L-RBD,,,  
2,13,, "FUEL PIPE",4TN84L-RBD,,,  
2,14,, GOVERNOR,4TN84L-RBD,,,  
2,15,, "STARTING MOTOR",4TN84L-RBD,,,  
2,16,, GENERATOR,4TN84L-RBD,,,  
2,17,, "GASKET SET(OPTIONAL) & TOOL",4TN84L-RBD,,,

Silverhorn.CO.UK